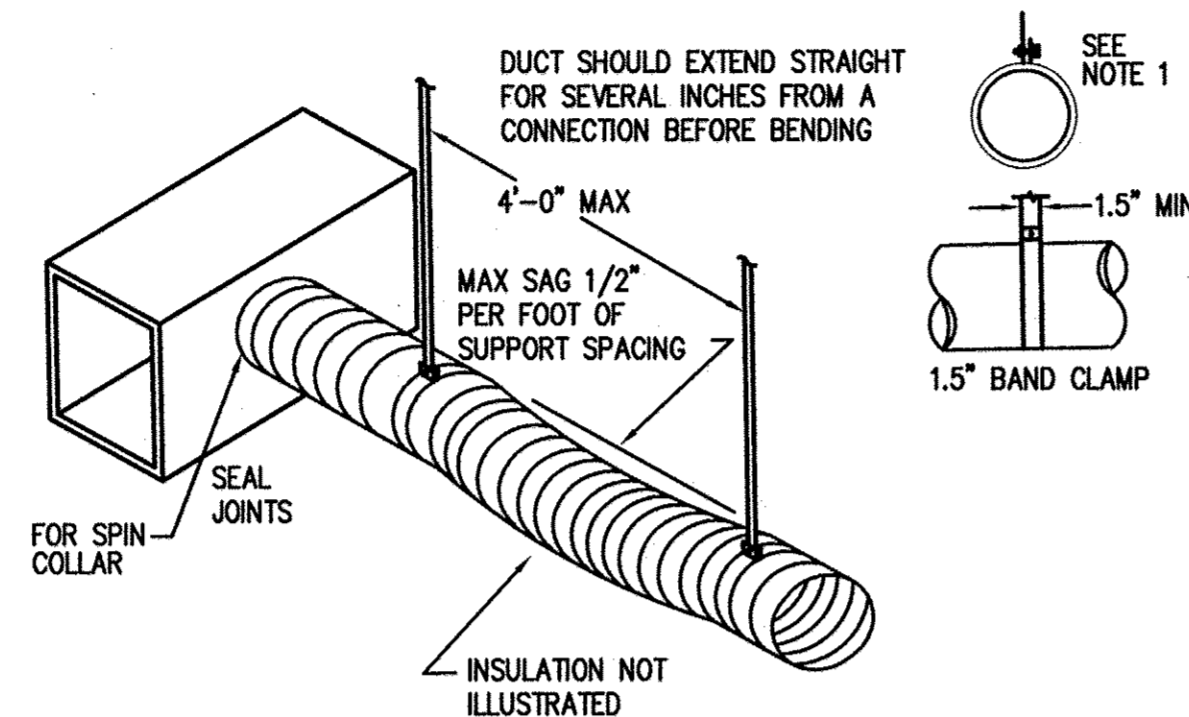


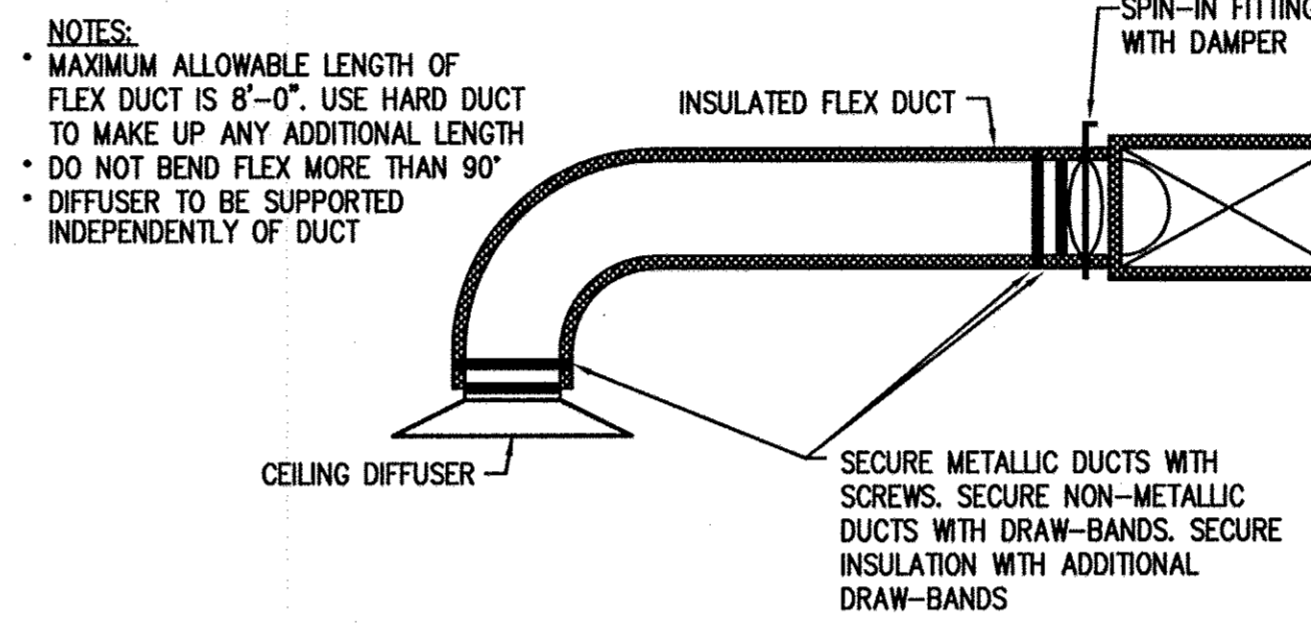
- NOTES:**
- SUPPORT AS REQD
 - BAND FLEX TO COLLAR 1/2" MIN FROM OUTBOARD END OF COLLAR
 - INSTALL SPIN COLLAR DAMPER IN OPEN POSITION; FINAL ADJUSTMENT BY TAB CONTRACTOR
 - PULL FLEXIBLE DUCTWORK INSULATION UP TO END OF SPIN COLLAR AT EDGE OF RECTANGULAR DUCTWORK; SEAL VAPOR BARRIER W/GREY TAPE TO PREVENT MOISTURE MIGRATION
 - PROVIDE EXTENSION RODS TO ACCOMMODATE INSULATION, PULL TO EDGE OF DUCTWORK AS REQD AND SEAL TO EFFECT VAPOR BARRIER
 - POP RIVET OR SHEET METAL SCREWS, MIN 3 EA AT 120" INTERVALS, CONNECTING STOVEPIPE TO COLLAR. ENSURE RIVETS OR SCREWS DO NOT INTERFERE W/DAMPER
 - TAPE AND SEAL ALL JOINTS TO PREVENT LEAKAGE
 - INSTALL LOCKING QUADRANT AND HANDLE ON BOTTOM OF DUCT FOR EASY SERVICE (SHOWN ON TOP FOR EASE OF ILLUSTRATION ONLY)

1 SPIN-IN FITTING W/ DAMPER
NOT TO SCALE



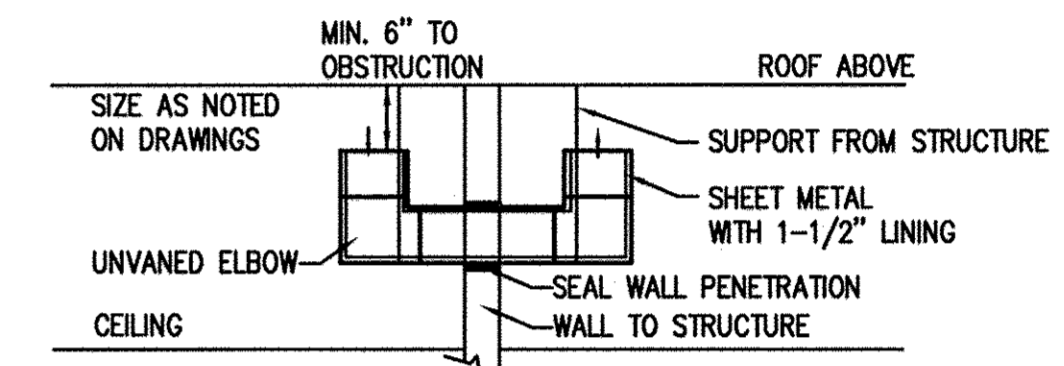
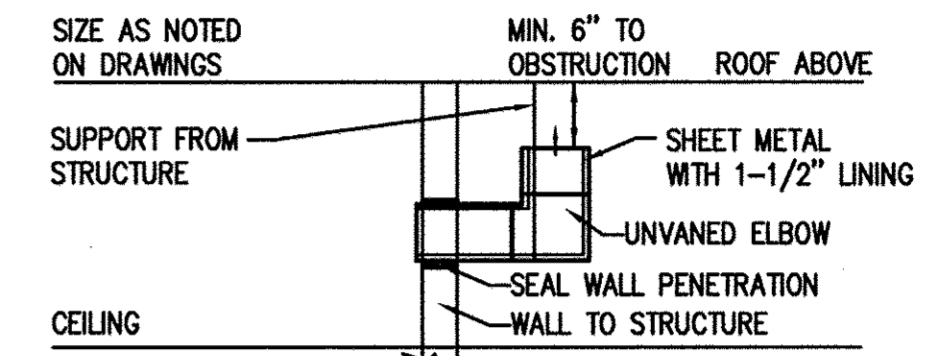
- NOTES:**
- SUPPORT SYSTEM MUST NOT DAMAGE DUCT OR CAUSE OUT OF ROUND SHAPE
 - DUCTS ARE FLEXIBLE WITH EXTERNAL INSULATION AND VAPOR BARRIER JACKETING
 - MIN CENTER LINE BEND RADIUS IS ONE DIA, (OR INSIDE RADIUS OF D/2)

2 FLEX DUCT SUPPORT REQUIREMENTS
NOT TO SCALE



- NOTES:**
- MAXIMUM ALLOWABLE LENGTH OF FLEX DUCT IS 8'-0". USE HARD DUCT TO MAKE UP ANY ADDITIONAL LENGTH
 - DO NOT BEND FLEX MORE THAN 90°
 - DIFFUSER TO BE SUPPORTED INDEPENDENTLY OF DUCT

3 DIFFUSER CONNECTION
NOT TO SCALE



4 RETURN AIR SOUND BOOT DETAIL
NOT TO SCALE

AIR DEVICE SCHEDULE								
TAG	SERVICE	MANUFACTURER AND MODEL-OR EQUAL	FACE SIZE	NECK SIZE	CFM	FINISH	MATERIAL	NOTES
A	SUPPLY	TITUS TMSA	12"x12"	6"ø	0-65	WHITE	STEEL	1,2
				8"ø	66-225			
B	SUPPLY	TITUS TMSA	24"x24"	6"ø	0-100	WHITE	STEEL	1,2
				8"ø	101-225			
				10"ø	226-325			
C	RETURN	MATCH EXISTING BASE BUILDING (OR TITUS PAR LAY-IN)	24"x24"			WHITE	STEEL	-
D								
F	EXHAUST	TITUS PAR LAY-IN	12"x12"			WHITE	STEEL	1,2
G								
EX.	SUPPLY OR RETURN	EXISTING AIR DEVICE TO BE REUSED	-	6"ø	0-100	-	-	1,2
				8"ø	101-300			
				10"ø	301-500			

NOTES:

- 4-WAY UNLESS SHOWN DIFFERENT
- PROVIDE OPP BLADE DAMPER AT EACH SUPPLY OR EXH UNLESS BALANCING DAMPER IS PROVIDED AT RUNOUT TAKEOFF
- CONTRACTOR TO PROVIDE NEW DIFFUSERS TO REPLACE THE EXISTING DIFFUSERS BEING REUSED/RELOCATED IF THE EXISTING DIFFUSER NECK SIZE IS FOUND TO BE TOO SMALL.
- INSULATE SLOT DIFFUSER PLENUMS.
- PROVIDE GYP. BOARD MOUNTING KIT IF REQUIRED.

FAN SCHEDULE	
PROJECT: M/MRA- EL CENTRO	
TAG	EF-A
SERVICE	EXHAUST
AREA SERVED	RESTROOM
FAN TYPE	ROOF MOUNTED
AIR FLOW CFM	150
EXT. STATIC PRES	0.5
DRIVE	DIRECT
MOTOR DATA (HP)	1/12
VOLTS/PH/CYCLES	115/1/60
ACCESSORIES	
FACTORY DISCONNECT	NO
BACK DRAFT DAMPER	YES
FAN SPEED SWITCH	YES
NOTES	1
GREENHECK MODEL OR EQUAL	SQ-80-D
NOTES:	
1. FAN TO BE INTERLOCKED WITH LIGHTS.	

File Name: M:\MHRRA\10467.00 El Centro de Corazon SE Clinic Alterations\Mech\10467.00 M3.DWG
User: rrogers
Date/Time: Nov 18, 2010 - 8:16am
Xref File(s): X-ECDC [X-ECDC.DWG] ECDC-TBK [ECDC-TBK.DWG]

REDDING LINDEN BARR
CONSULTING ENGINEERS
Texas Registered Engineering Firm F-3113
801 TRAVIS, SUITE 2000
HOUSTON, TEXAS 77002
WWW.RLBENGINEERS.COM
PH: 713.237.9800 FAX: 713.237.9801

PROJECT NUMBER
10467.00
DRAWN BY
RCR
CHECKED BY
SMR
SHEET DATE
11/15/2010
Mechanical Details

M-3

JIM GWIN ARCHITECTS
3100 F.D.L.O.R.
HOUSTON, TEXAS 77027
PH: 713.229.6282
FAX: 713.229.6282
jim@jgwinarchitects.com
jgwinarch.com

EL CENTRO DE CORAZON ALTERATIONS
SOUTHEAST COMMUNITY SERVICE CENTER
5001 LONG PRAIRIE, HOUSTON, TEXAS 77057
MENTAL HEALTH MENTAL RETARDATION
AUTHORITY OF HARRIS COUNTY

STATE OF TEXAS
STEPHEN M. REDDING
3917
REGISTERED PROFESSIONAL ENGINEER

Copyright © 2010
All Rights Reserved
ISSUE FOR:
PRICING & PERMIT
11/15/2010