

File Name: M:\VHRA\10467.00 El Centro de Cazon SE Clinic Alterations\Wesh\10467.00 M1.DWG
 User: rogers
 Date/Time: Nov 18, 2010 - 9:45am
 Xref File(s): X-ECDC [X-ECDC.DWG] ECDC-TBK [ECDC-TBK.DWG]

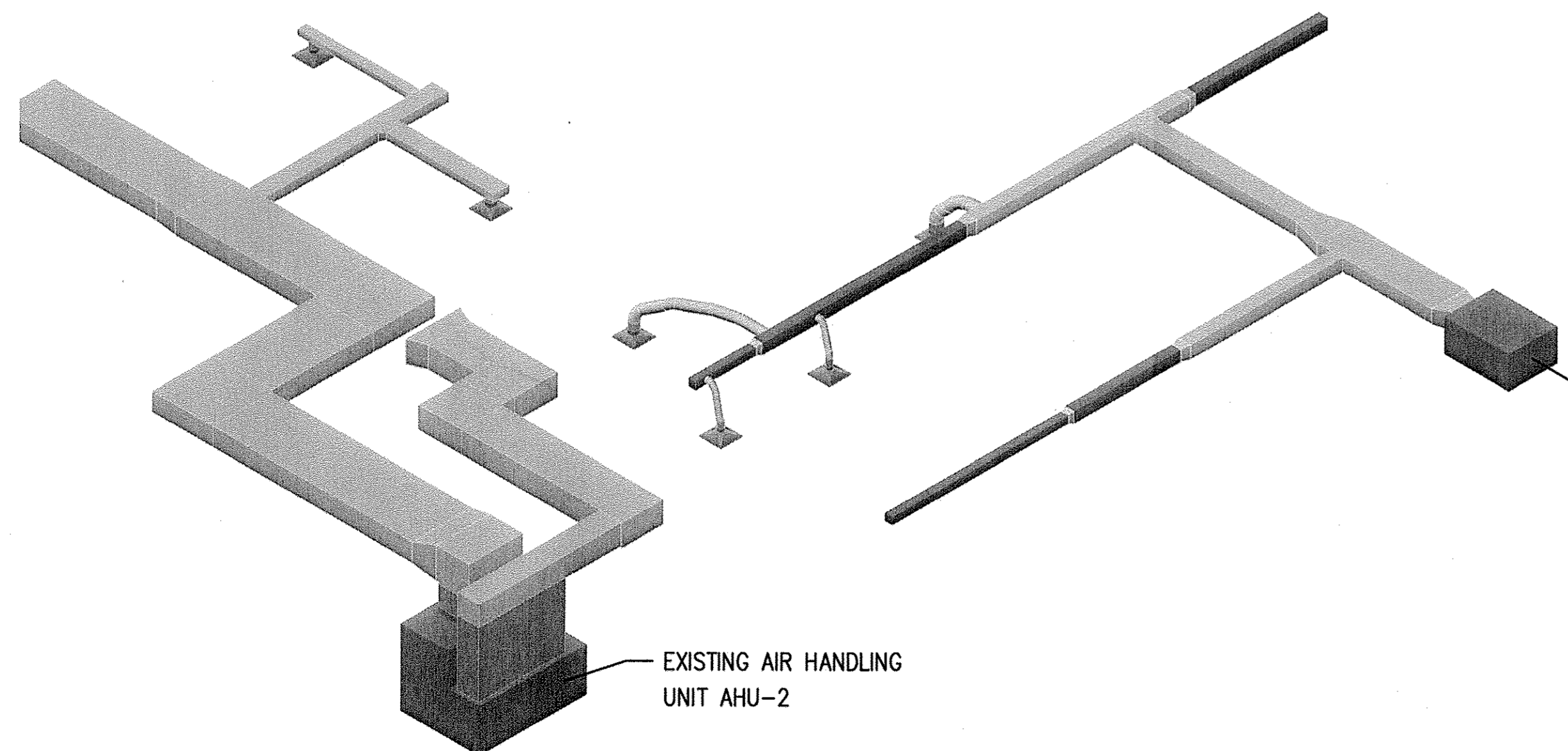
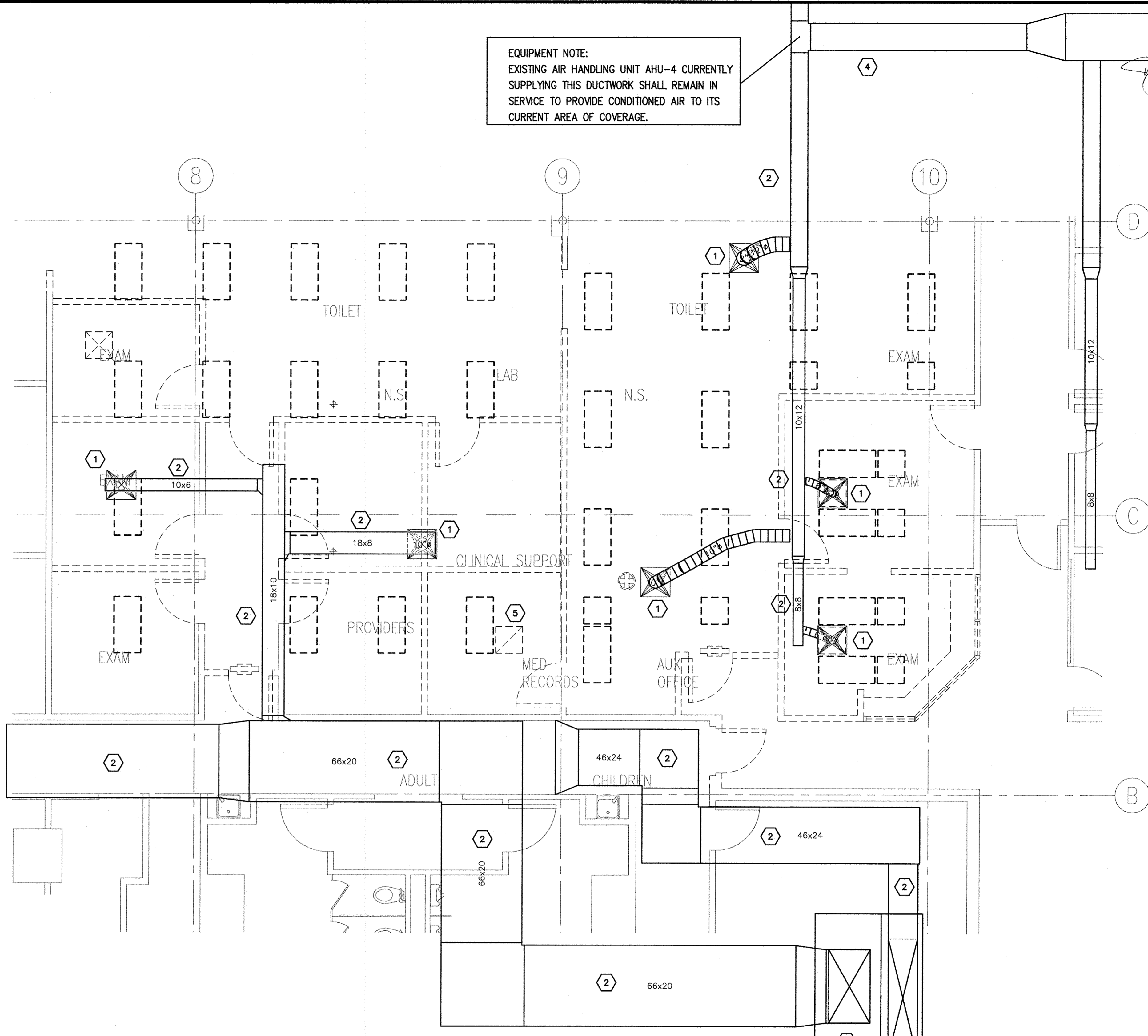
KEYED NOTES

1. REMOVE EXISTING CEILING MOUNTED DIFFUSER AND CONNECTED FLEXIBLE DUCT BACK TO THE TRUNK CONNECTION POINT. DUCT TAP AND VOLUME DAMPER SHALL REMAIN IN PLACE BUT SHALL BE CAPPED.
2. EXISTING SUPPLY DUCTWORK SHALL REMAIN FOR FUTURE USE.
3. EXISTING AIR HANDLING AHU-2 IS SIZED TO DELIVER 14,000 CFM OF CONDITIONED AIR TO ITS AREA OF COVERAGE. THIS AIR FLOW MUST BE MAINTAINED FOR THE REVISED SYSTEM CONFIGURATION.
4. EXISTING AIR HANDLING UNIT AHU-4 IS SIZED TO DELIVER 3860 CFM OF CONDITIONED AIR TO ITS AREA OF COVERAGE. THIS AIR FLOW MUST BE MAINTAINED FOR THE REVISED SYSTEM CONFIGURATION.
5. CONTRACTOR SHALL REMOVE ALL PERFORATED RETURN GRILLES FROM THE CEILING OF THE PROJECT AREA AND RETAIN GRILLES FOR POSSIBLE FUTURE USE.

GENERAL NOTES

- A. THE EXISTING EQUIPMENT, DIFFUSERS AND DUCTWORK REPRESENT THE BEST AVAILABLE INFORMATION CONCERNING THE EXISTING AIR CONDITIONING SYSTEMS CURRENTLY IN THE PROJECT AREA. CONTRACTOR MUST FIELD VERIFY ALL EXISTING SYSTEM COMPONENTS IN THE PROJECT AREA DURING THE BID PROCESS TO INSURE THAT ALL EXISTING COMPONENTS ARE REMOVED FROM SERVICE TO PREPARE FOR THE REVISED COMPONENT PLACEMENT.
- B. EXISTING DIFFUSERS AND FLEXIBLE DUCTWORK REMOVED FROM CEILING SHALL BE STORED FOR POSSIBLE REUSE. ALL DEVICES AND DUCTS SHALL BE THOROUGHLY CLEANED BEFORE ANY REUSE.
- C. WHEN DESIGNATED EXISTING DIFFUSERS ARE REMOVED AND FLEXIBLE DUCTS DISCONNECTED, CONTRACTOR SHALL PROVIDE A TEMPORARY CAP ON THE OPEN DUCT TAP SO THAT THE DISTRIBUTION SYSTEM CAN BE KEPT IN SERVICE.

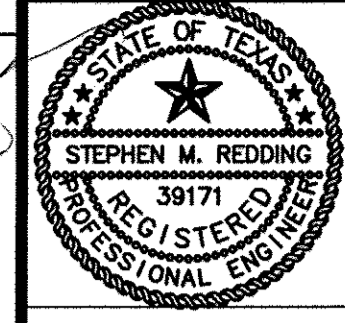
EQUIPMENT NOTE:
 EXISTING AIR HANDLING UNIT AHU-4 CURRENTLY SUPPLYING THIS DUCTWORK SHALL REMAIN IN SERVICE TO PROVIDE CONDITIONED AIR TO ITS CURRENT AREA OF COVERAGE.



01 DEMO PLAN
 1/4" = 1'-0"

02 DEMO ISO VIEW
 1/8" = 1'-0"

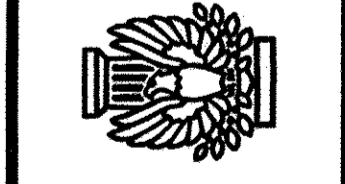
EQUIPMENT NOTE:
 EXISTING AIR HANDLING UNIT AHU-2 SHALL REMAIN IN SERVICE TO PROVIDE CONDITIONED AIR TO ITS CURRENT AREA OF COVERAGE.



Copyright © 2010
 All Rights Reserved
 ISSUE FOR:
 PRICING & PERMIT
 11/15/2010

**EL CENTRO DE CORAZÓN
 ALTERATIONS**
 SOUTHEAST COMMUNITY SERVICE CENTER
 5801 LONG DRIVE, HOUSTON, TEXAS 77087
 MENTAL HEALTH MENTAL RETARDATION
 AUTHORITY OF HARRIS COUNTY

JIM GWIN ARCHITECTS
 3100 EDLOPE SUITE 820
 HOUSTON, TEXAS 77027 (713) 629-6262
 EMAIL ADDRESS: jimgwin@jimgwin.com
 WEB SITE: jimgwin.com



PROJECT NUMBER
 DRAWN BY RCR
 CHECKED BY SMR
 SHEET DATE 11/15/2010
 DEMO PLAN

**REDDING
 LINDEN
 BURR**
 CONSULTING ENGINEERS
 Texas Registered Engineering Firm F-3113
 801 TRAVIS, SUITE 2000
 HOUSTON, TEXAS 77002
 WWW.RLBENGINEERS.COM
 PH: 713.237.9800 FAX: 713.237.9801

M-1