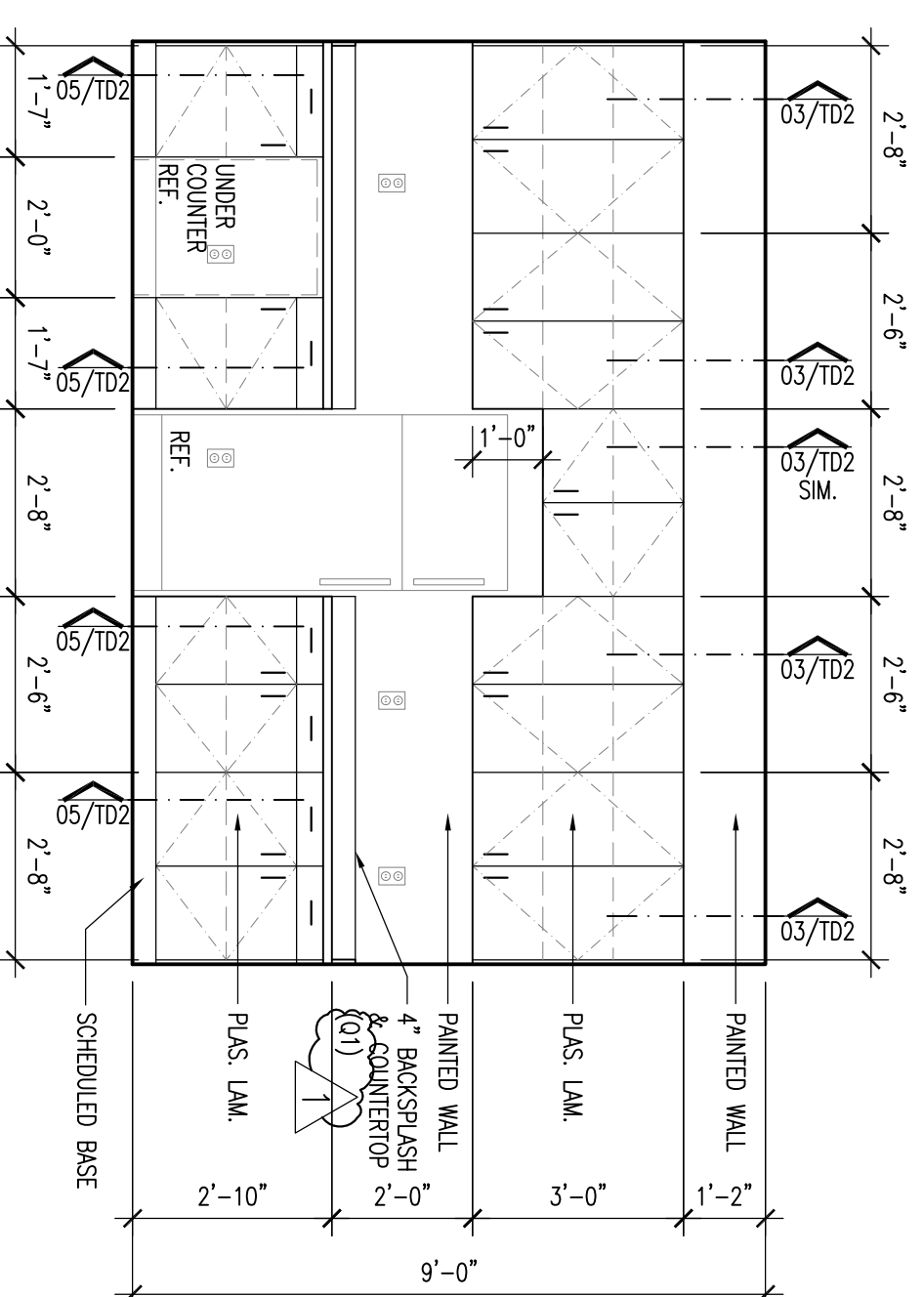


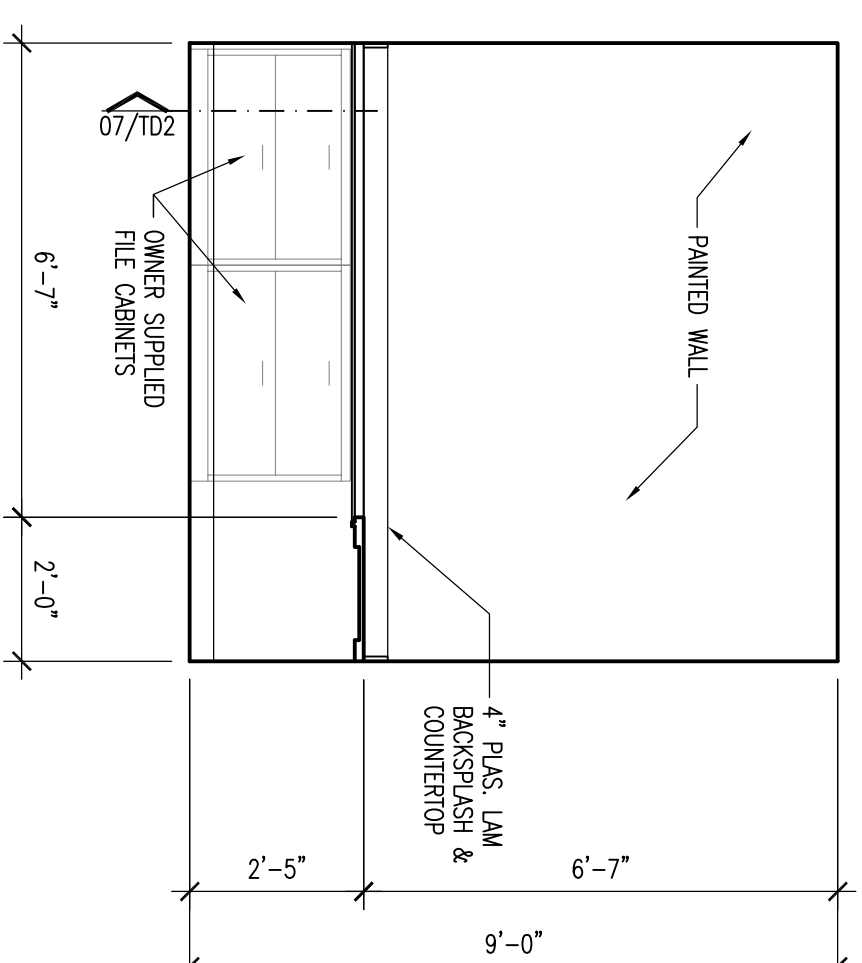
12 LAB ELEVATION
3/8" = 1'-0"

09 LAB ELEVATION
3/8" = 1'-0"

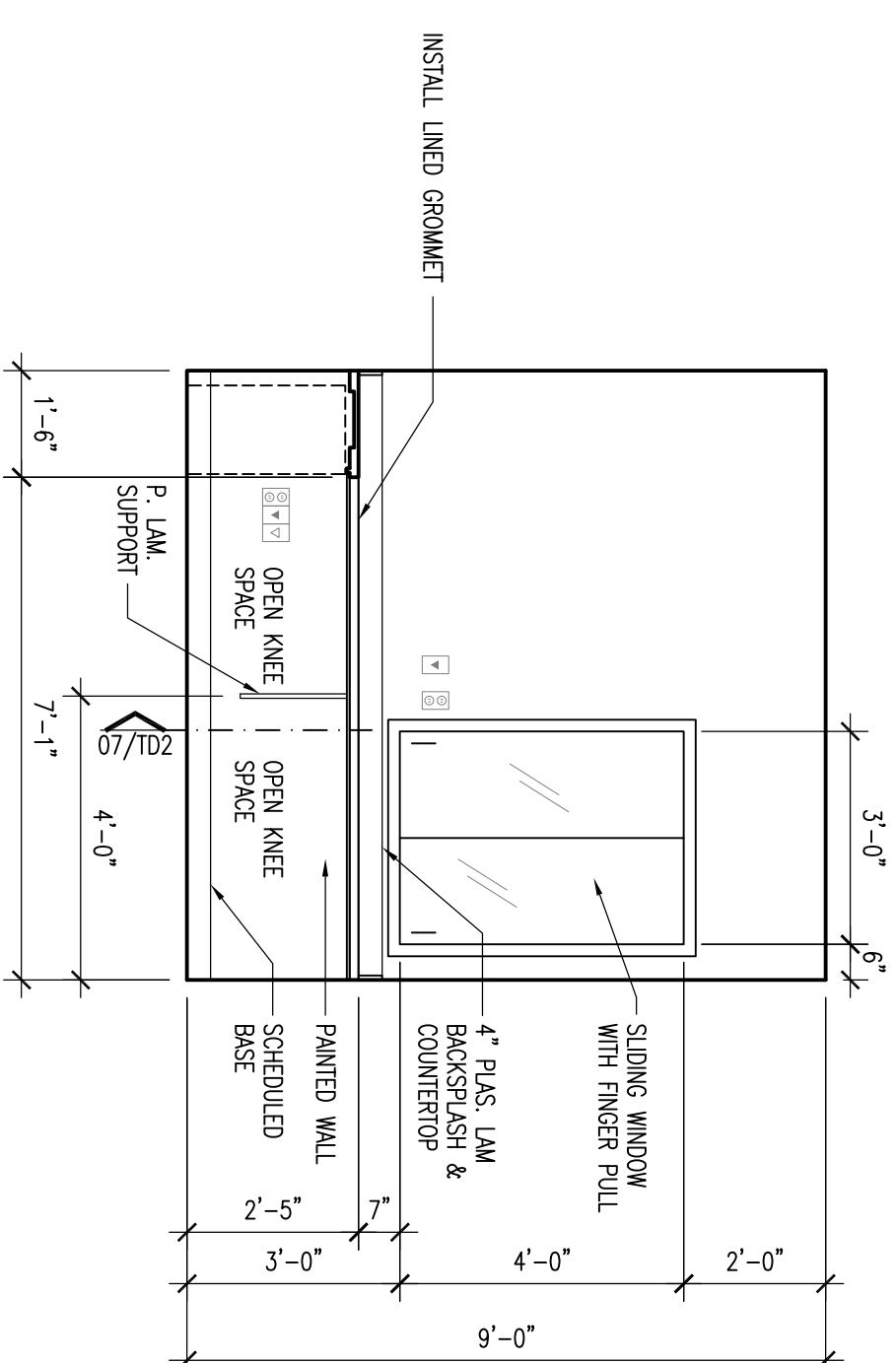
06 LAB ELEVATION
3/8" = 1'-0"



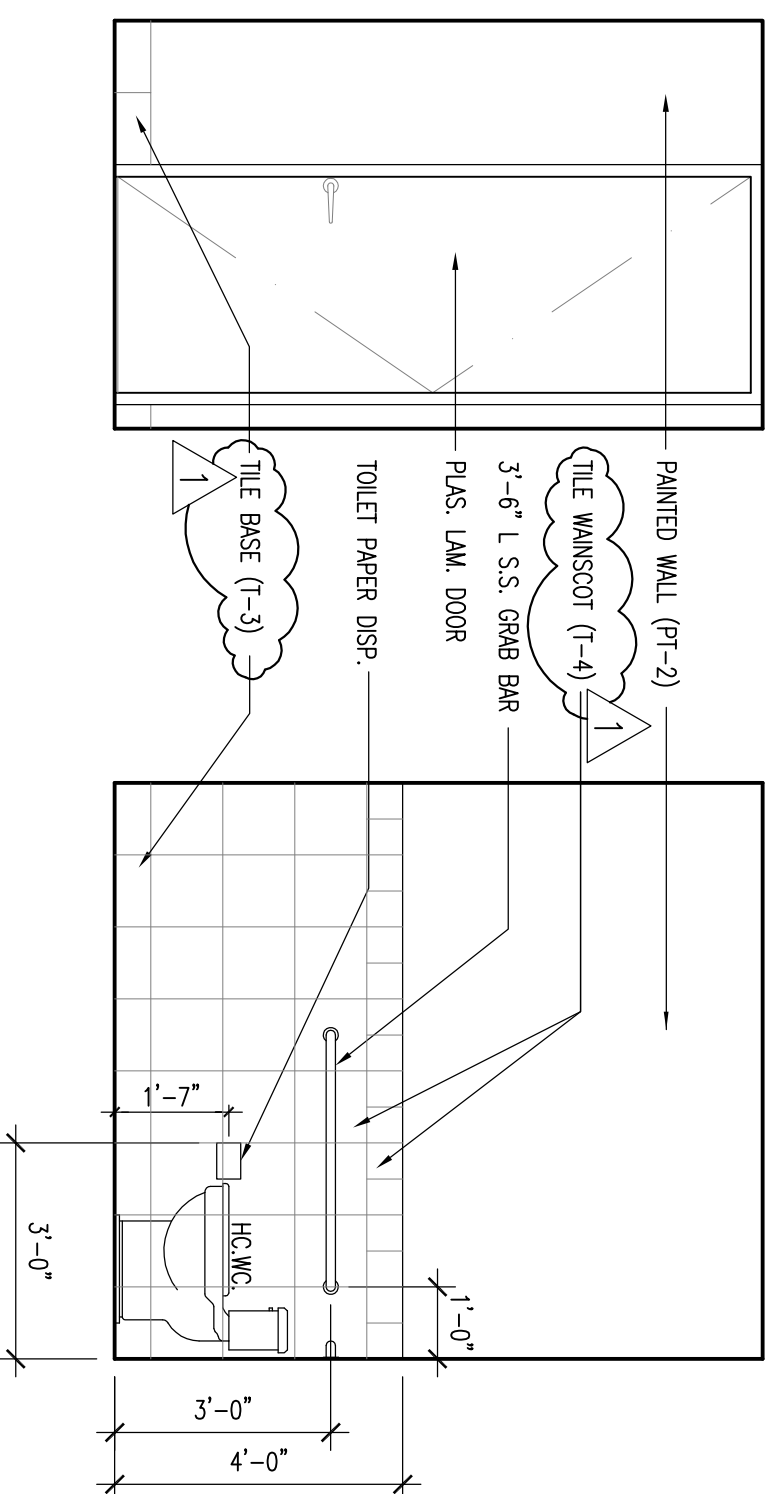
03 LAB ELEVATION
3/8" = 1'-0"



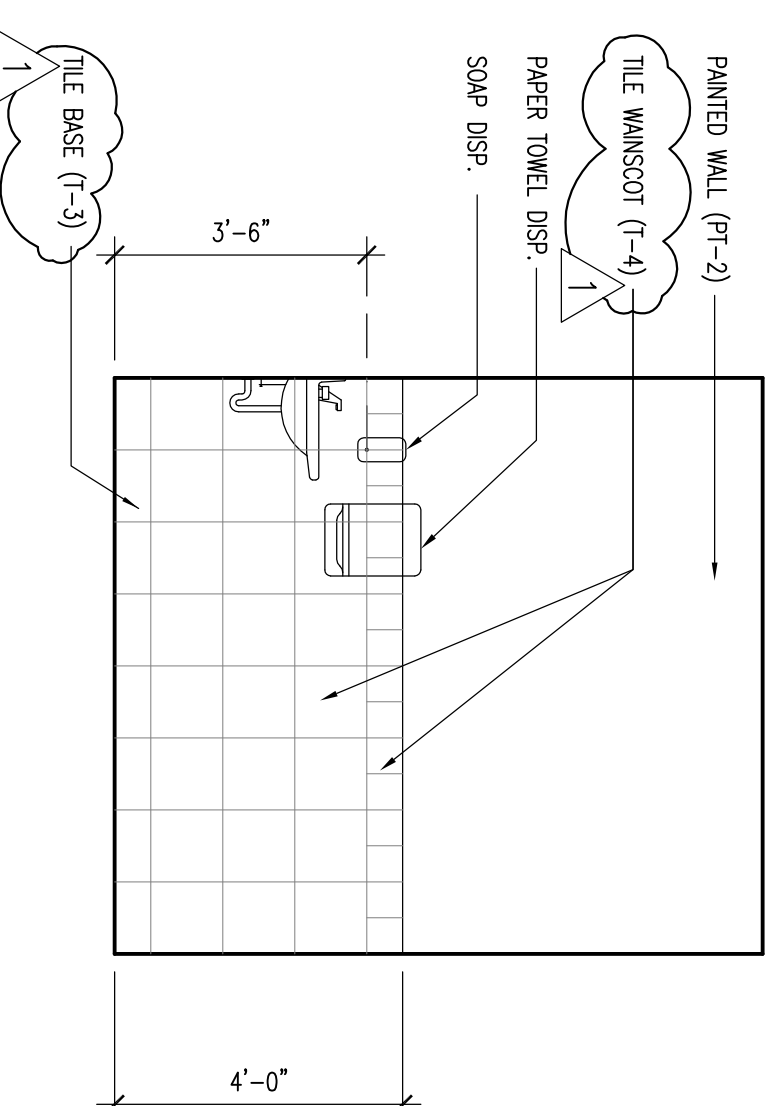
05 CHECK-IN
3/8" = 1'-0"



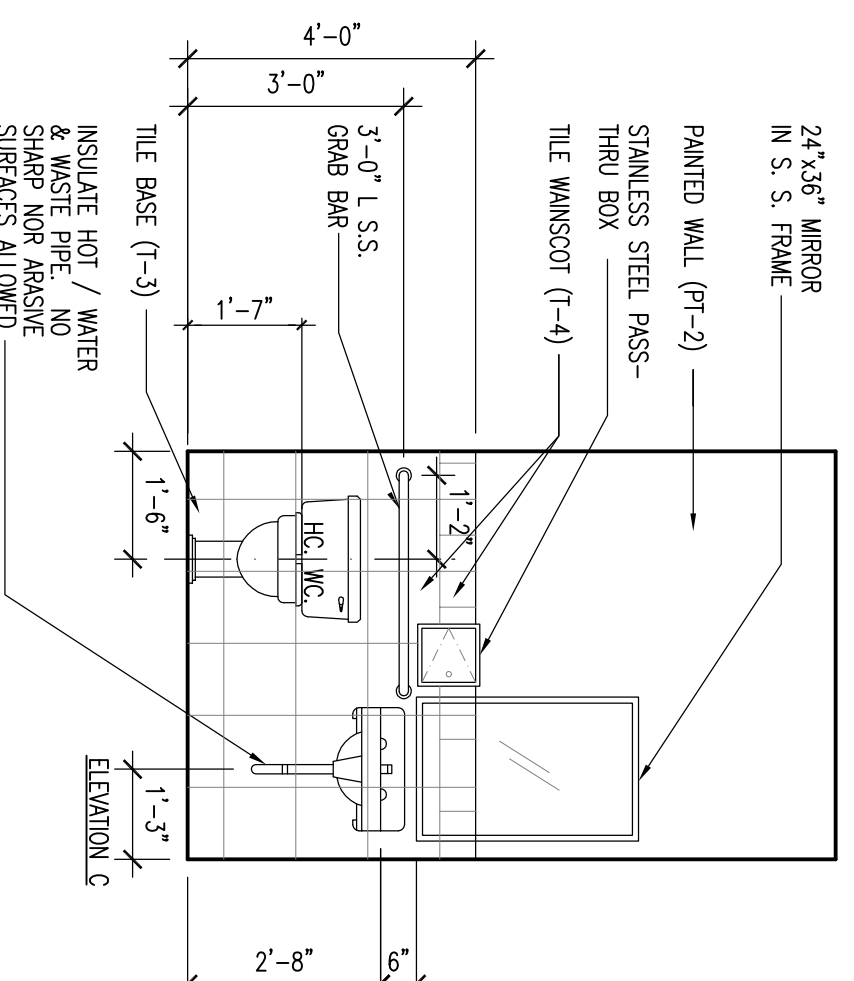
02 CHECK-IN
3/8" = 1'-0"



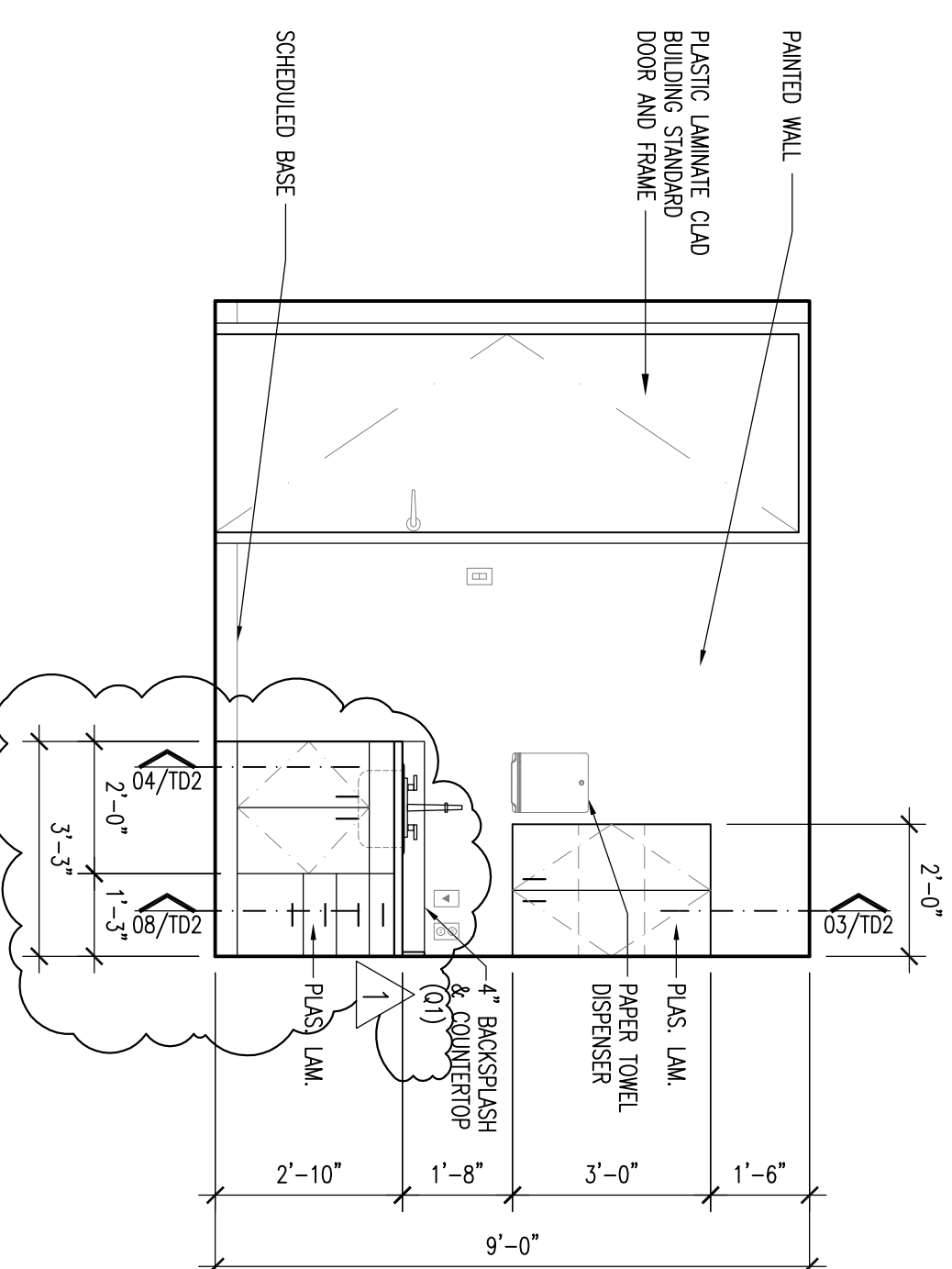
10 TOILET ROOM ELEVATION
3/8" = 1'-0"



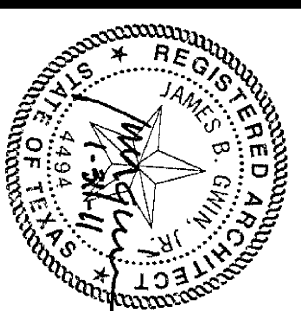
07 TOILET ROOM ELEVATION
3/8" = 1'-0"



04 TOILET ROOM ELEVATION
3/8" = 1'-0"



01 EXAM ROOM
3/8" = 1'-0"



Copyright © 2010
All Rights Reserved
ISSUE FOR:
PRICING & PERMIT
11/22/2010
ADD FINISH SPEC.
1/31/2011

**EL CENTRO DE CORAZÓN
ALTERATIONS**
SOUTHEAST COMMUNITY SERVICE CENTER
5901 LONG DRIVE, HOUSTON, TEXAS 77087
MENTAL HEALTH MENTAL RETARDATION
AUTHORITY OF HARRIS COUNTY

JIM GWIN ARCHITECTS
3100 EDLOR SUITE 320
HOUSTON, TEXAS 77058
PHONE: 281-222-6622
FAX: 281-222-6622
EMAIL ADDRESS: jimgwin@sbcglobal.net
WEBSITE: jimgwin.com

PROJECT NUMBER
DRAWN BY
AY
CHECKED BY
JBG
SHEET DATE
1/27/2011
SHEET NUMBER
INTERIORS
ELEVATIONS