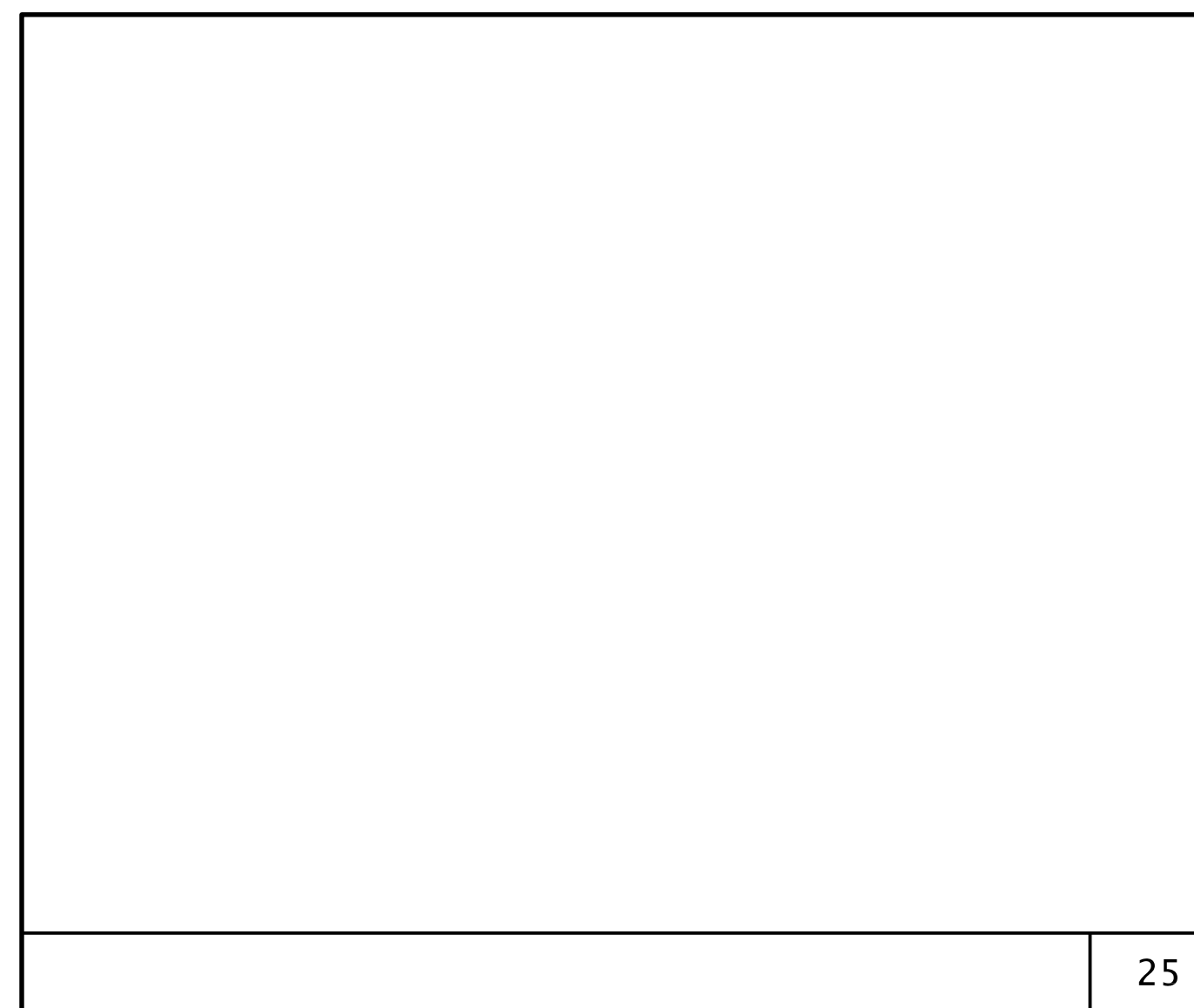
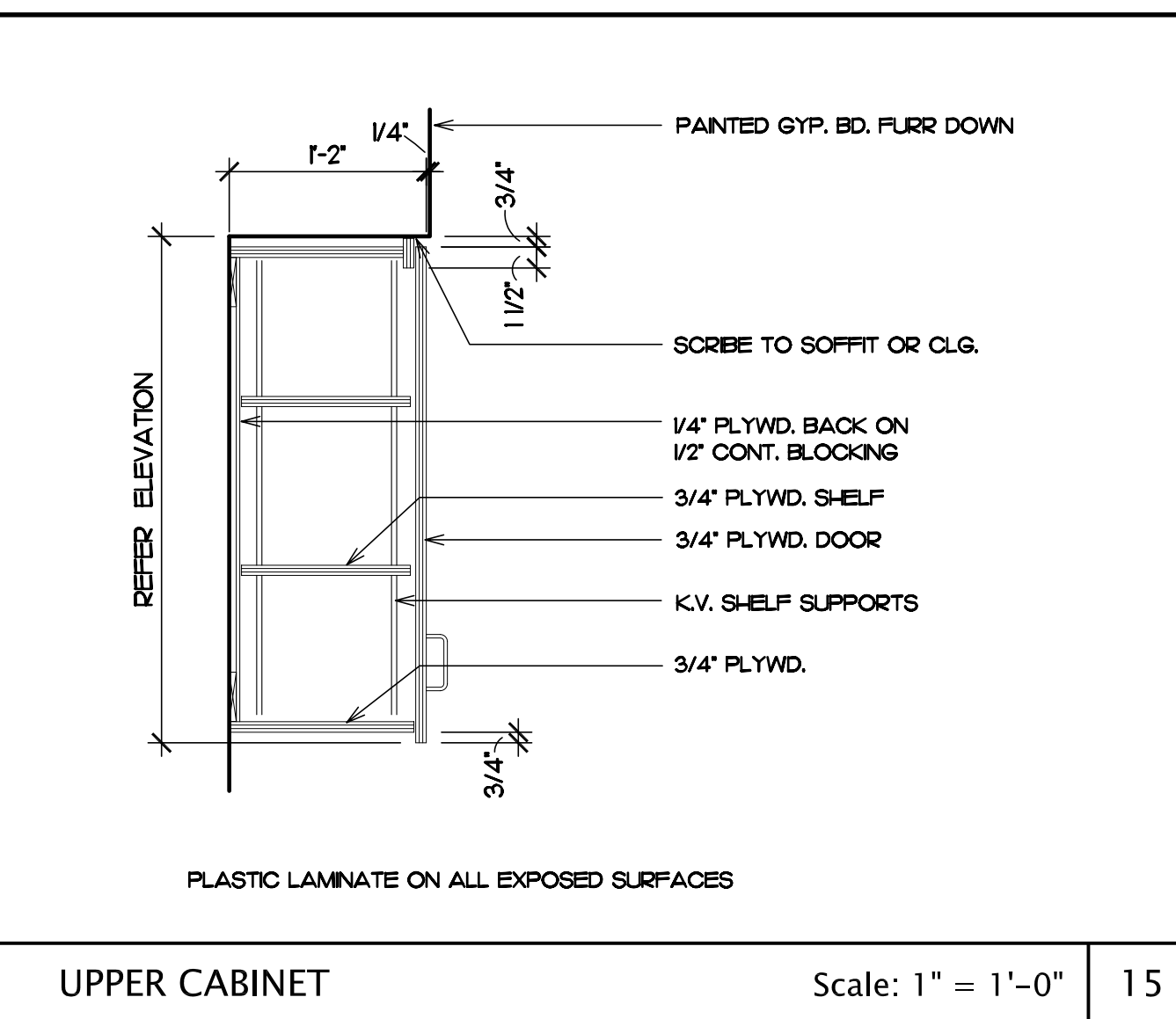


DATE	REMARKS
06-08-09	OWNER PROJECT REVIEW
06-15-09	ISSUE FOR CONSTRUCTION

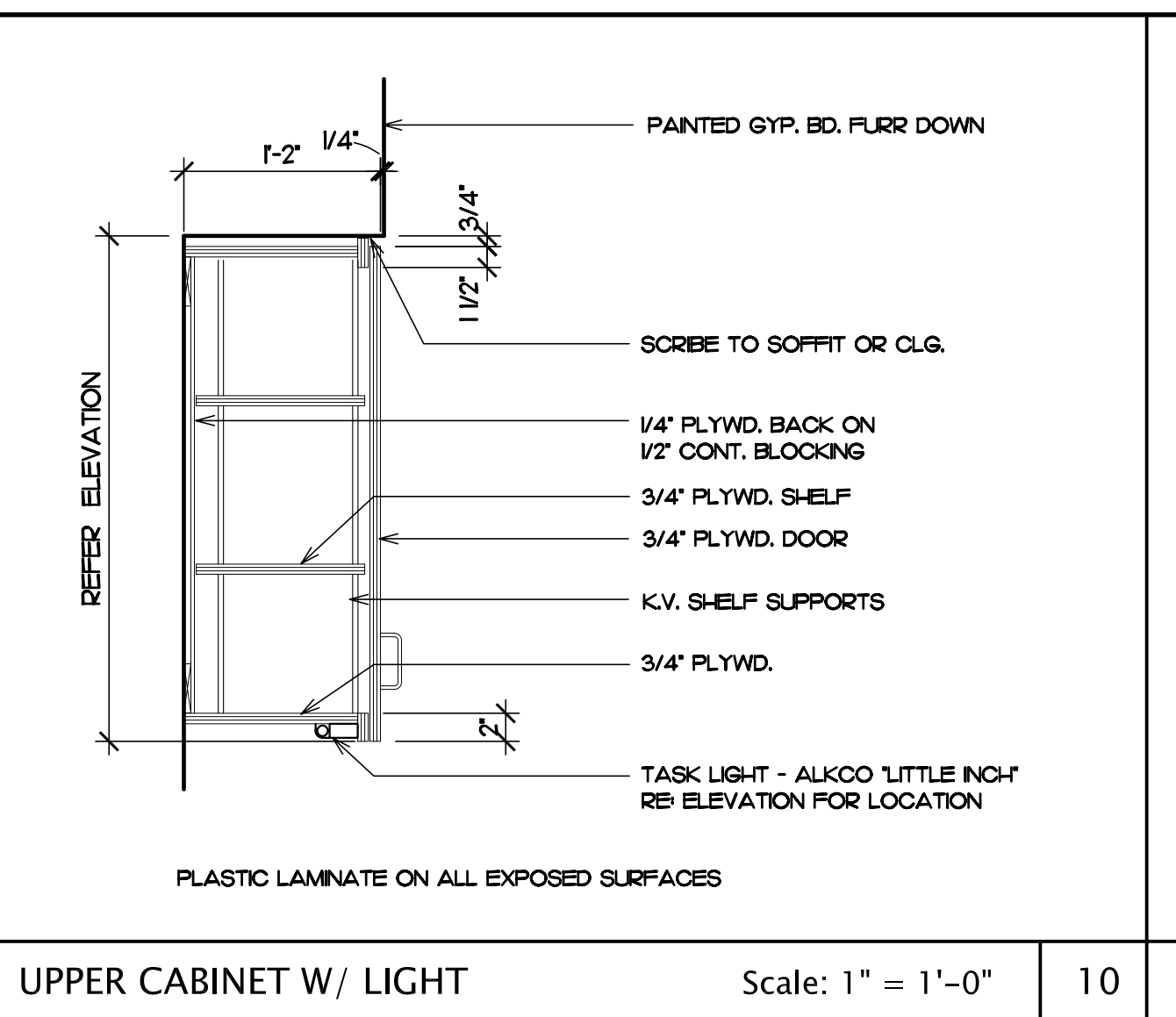
REVISIONS	
NO.	REMARKS



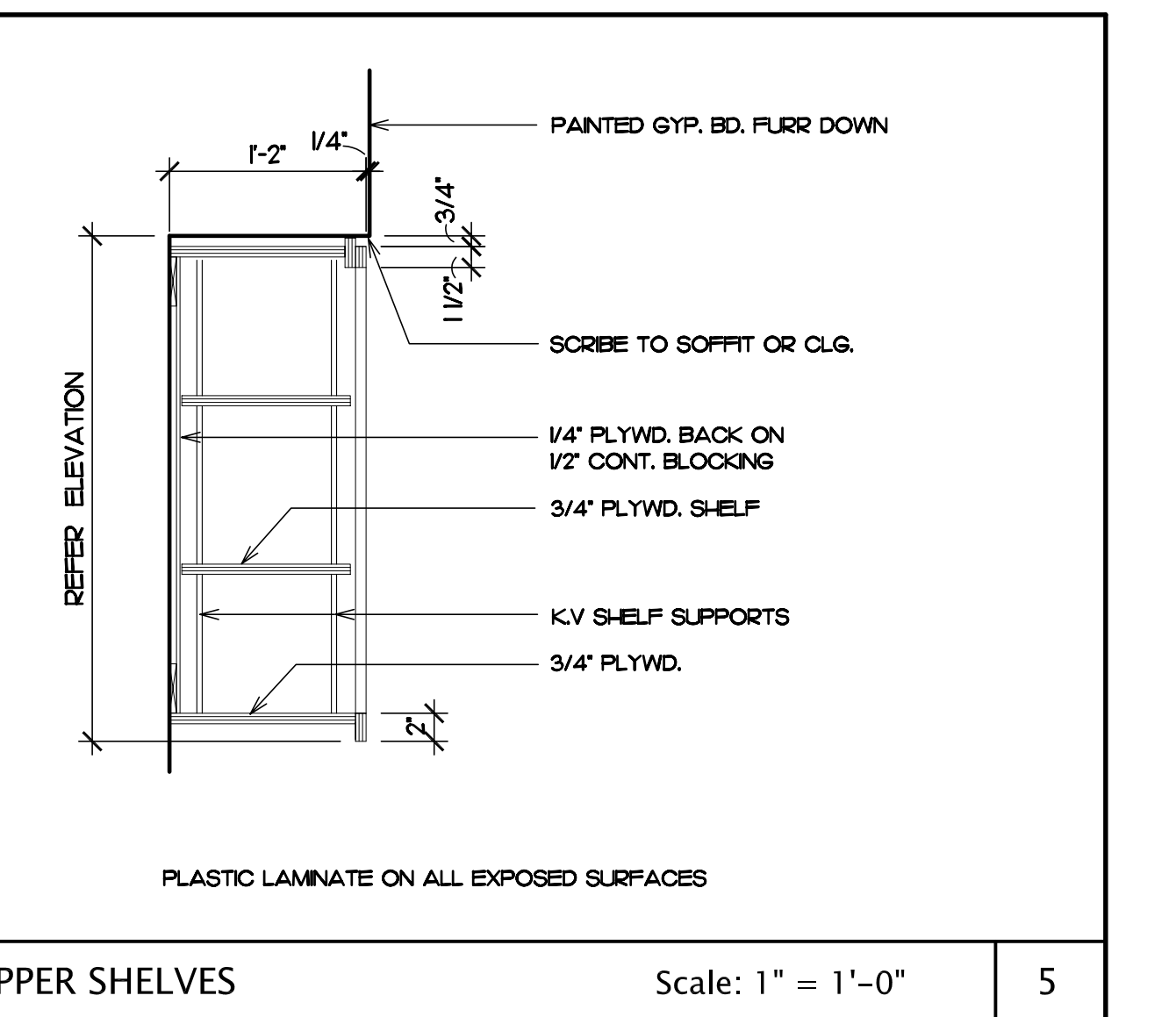
25 TYP. COUNTERTOP EDGE DETAIL Scale: 3" = 1'-0"



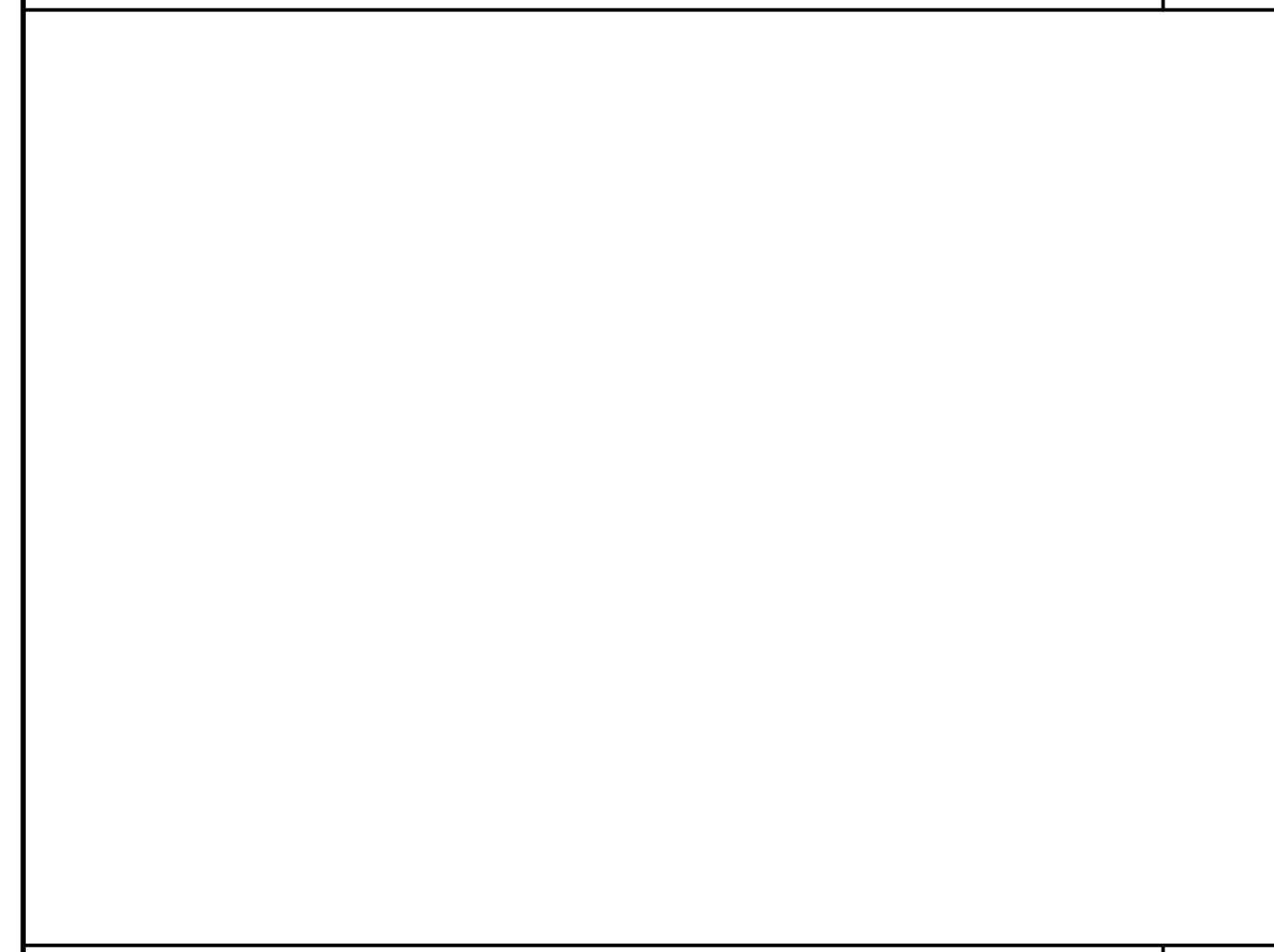
16 UPPER CABINET Scale: 1" = 1'-0"



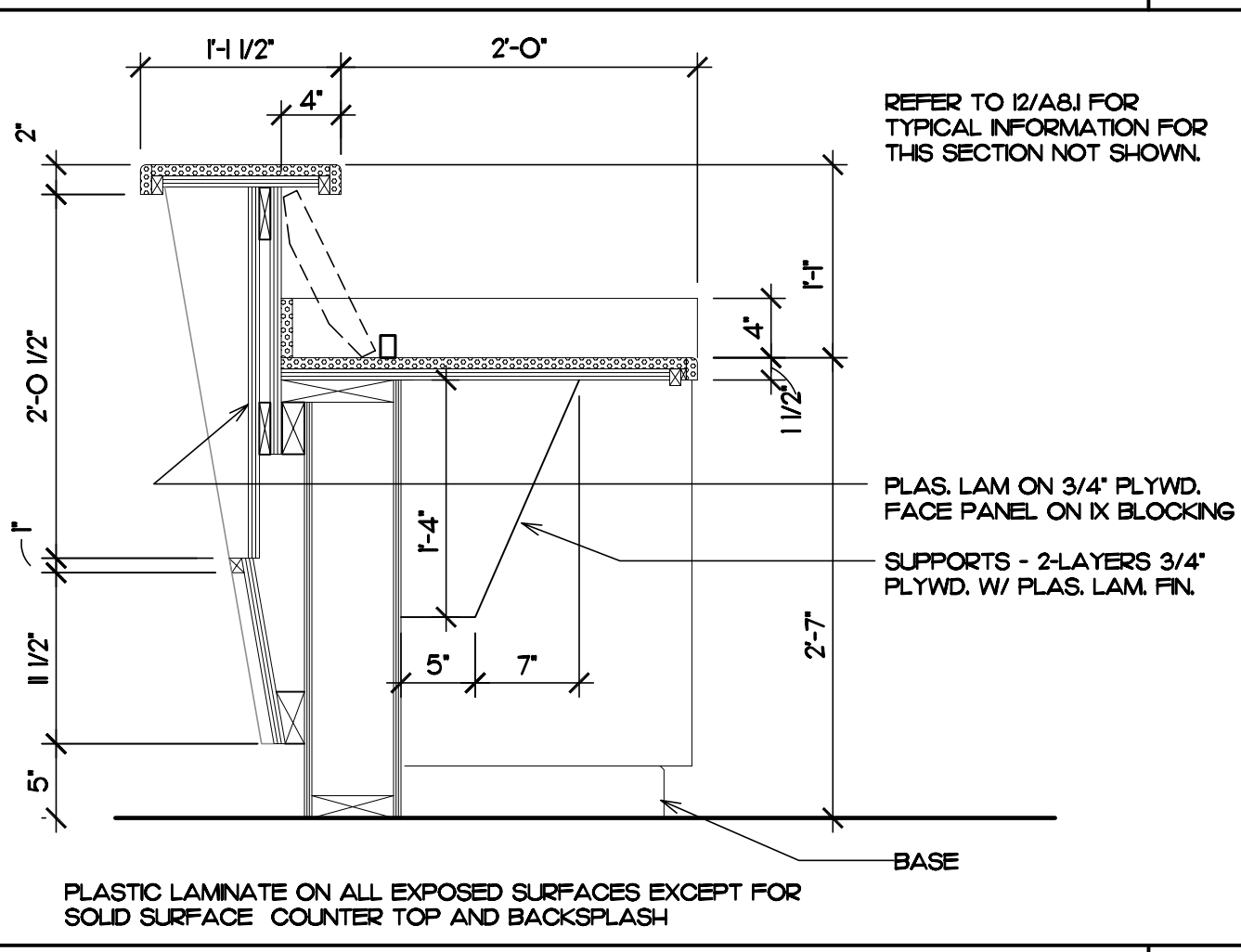
15 UPPER CABINET W/ LIGHT Scale: 1" = 1'-0"



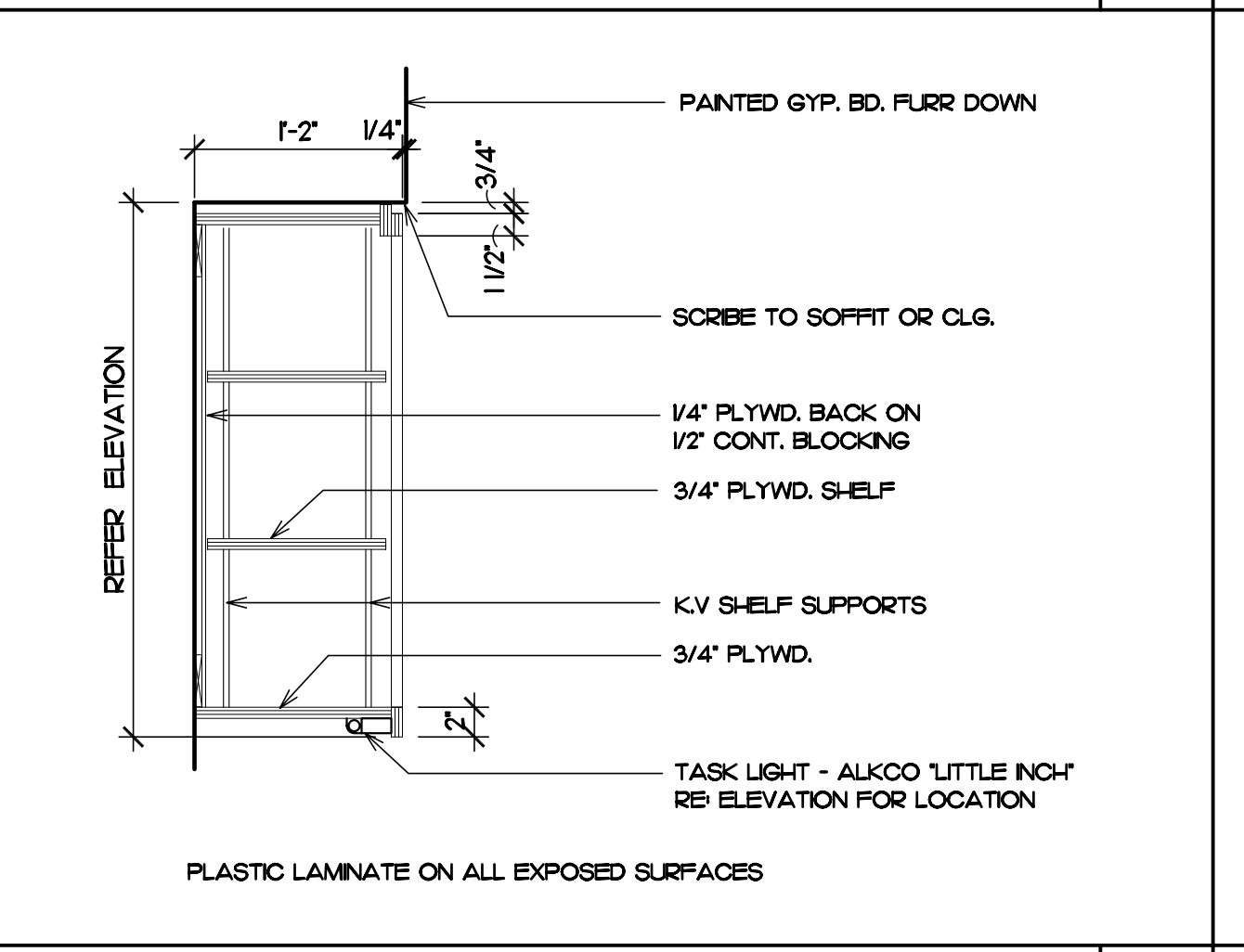
10 UPPER SHELVES Scale: 1" = 1'-0"



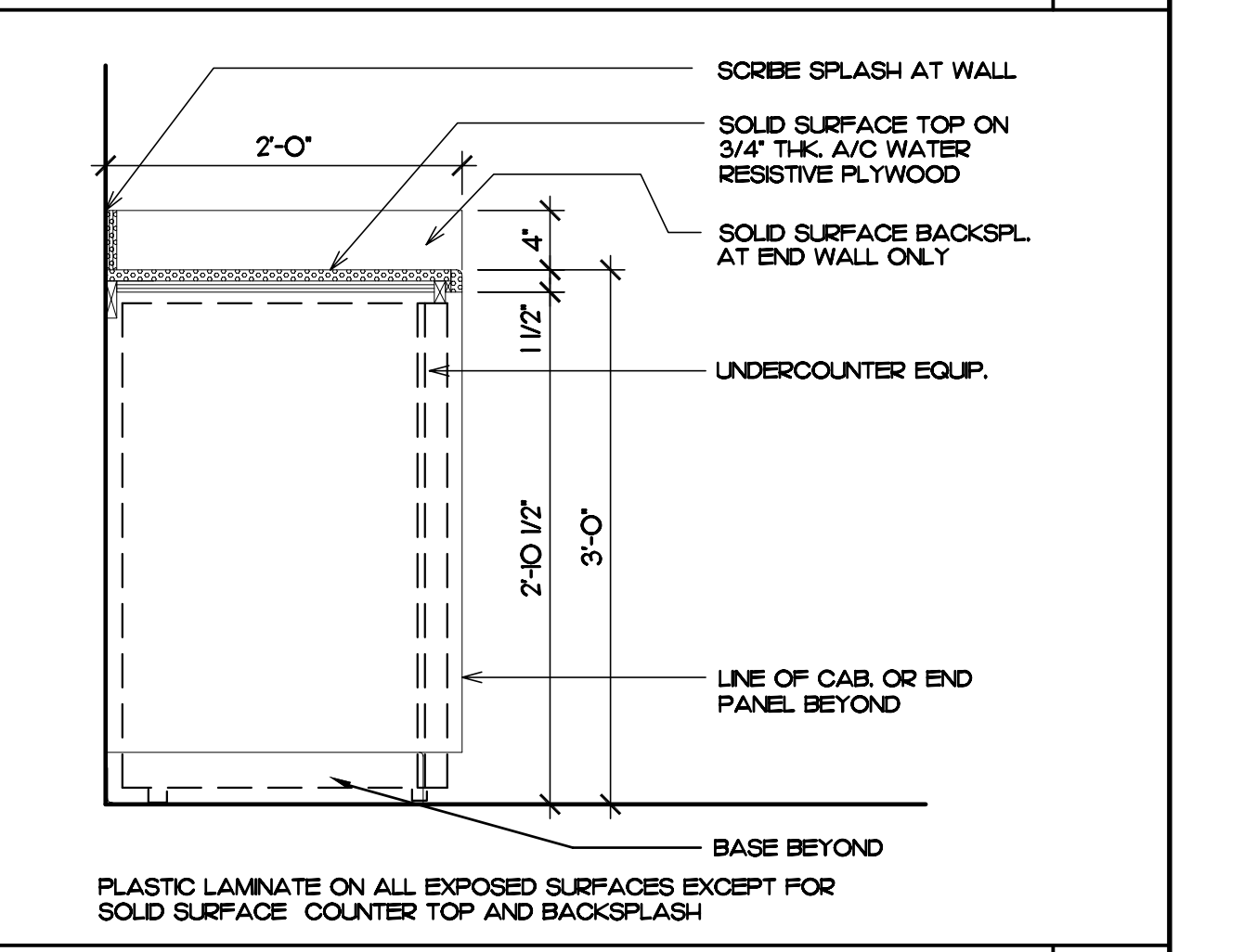
24 FULL HEIGHT SHELVES Scale: 1" = 1'-0"



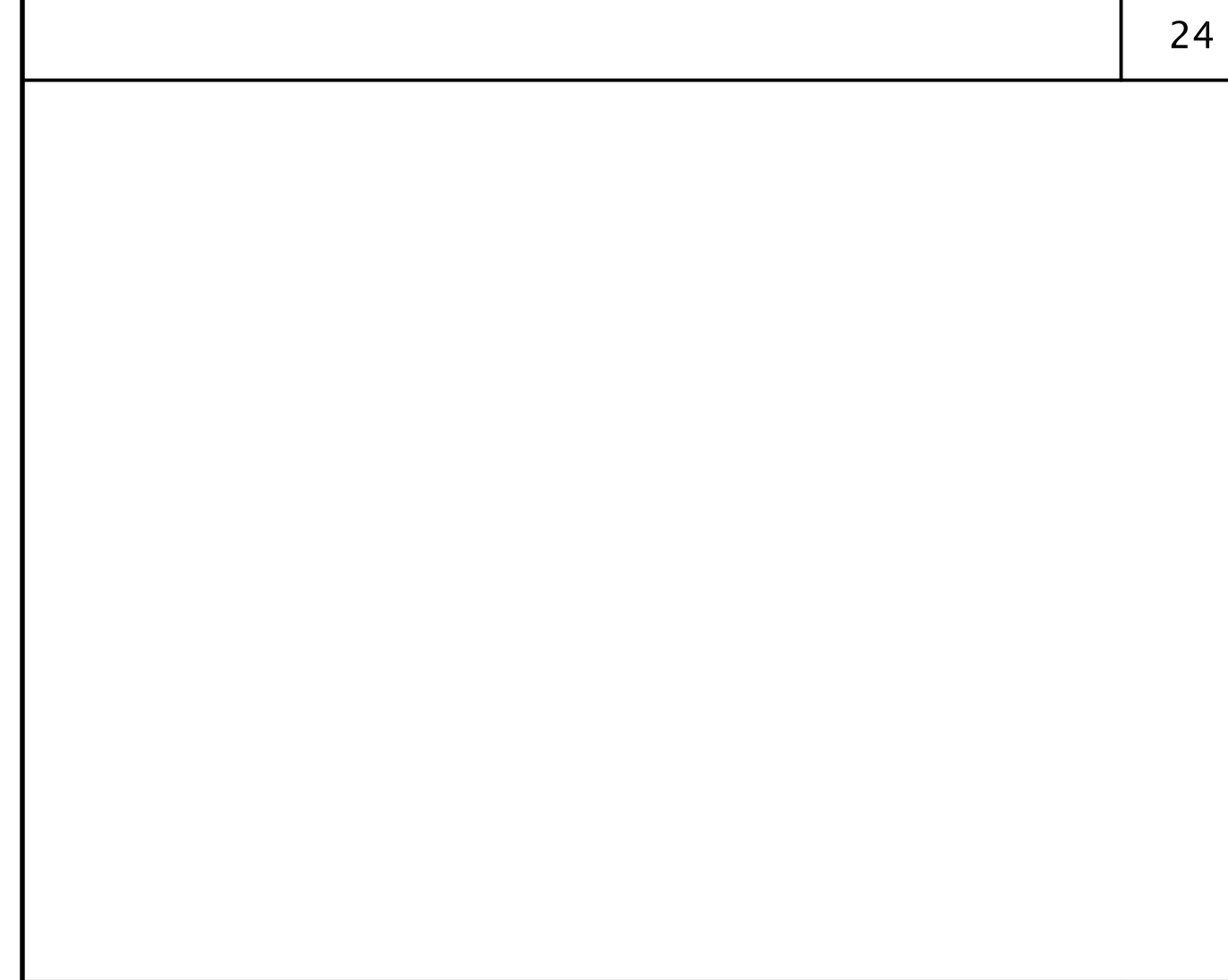
14 UPPER SHELVES W/ LIGHT Scale: 1" = 1'-0"



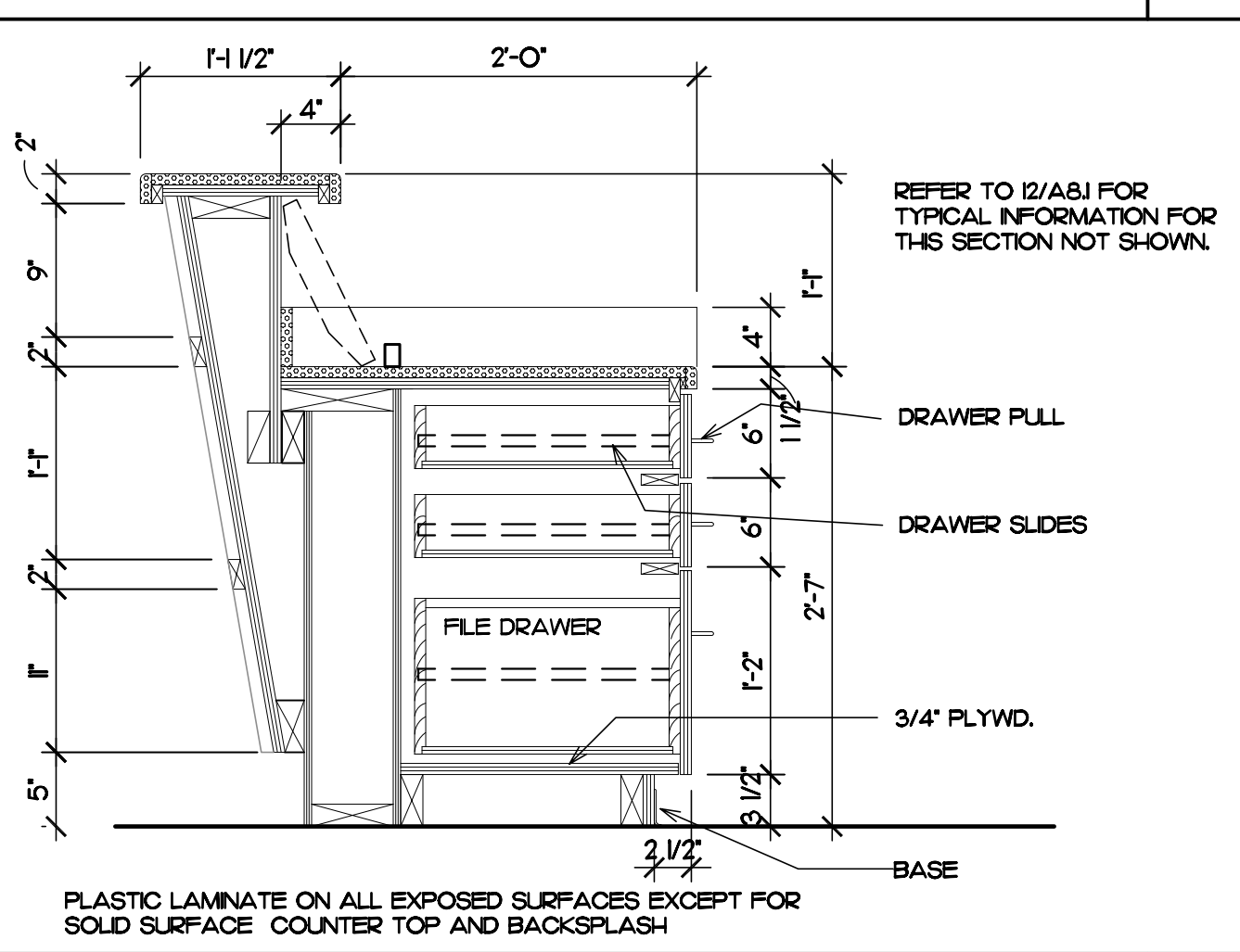
9 BASE CABINET W/ U.C. REF. Scale: 1" = 1'-0"



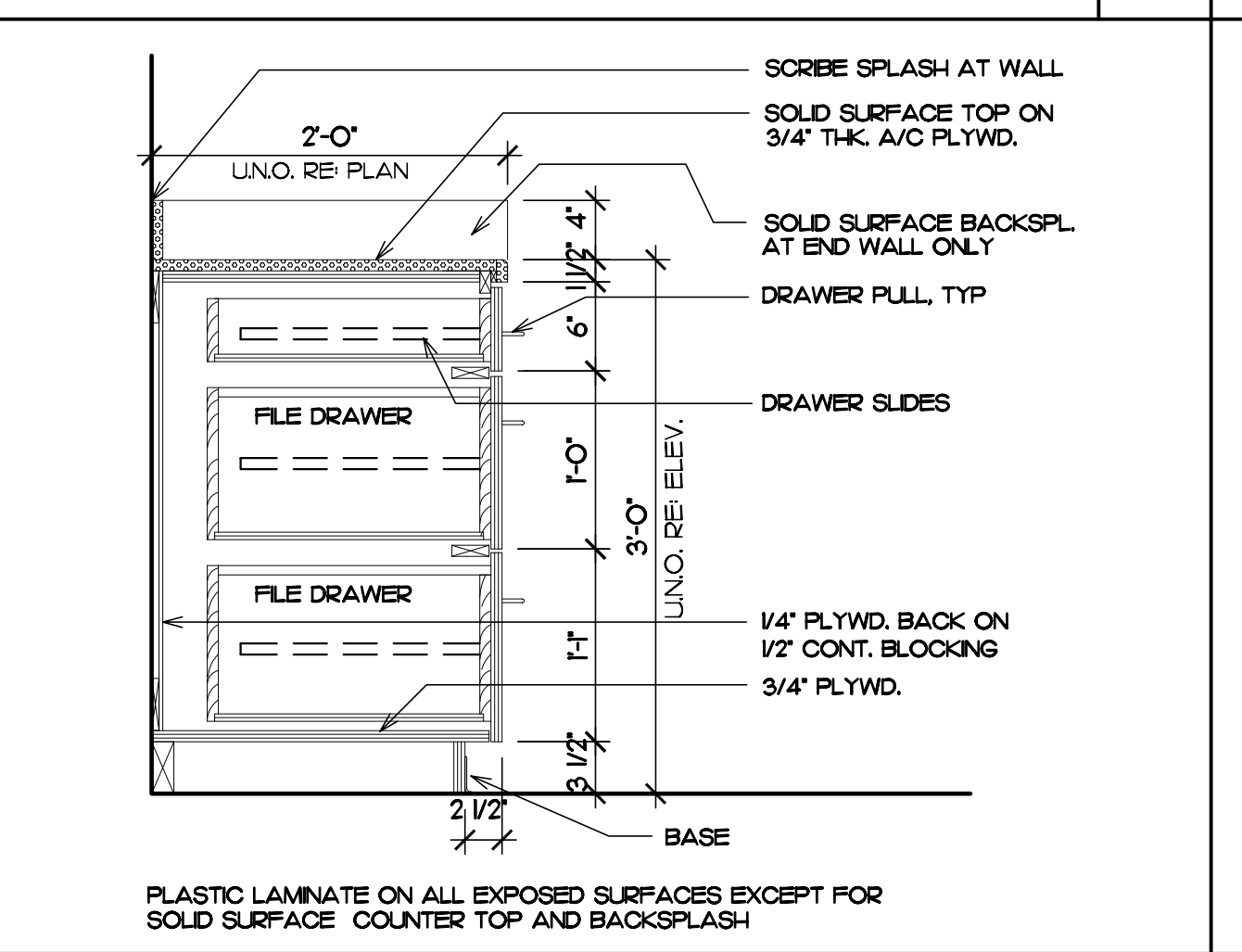
8 BASE CABINET W/ 3 DRAWERS Scale: 1" = 1'-0"



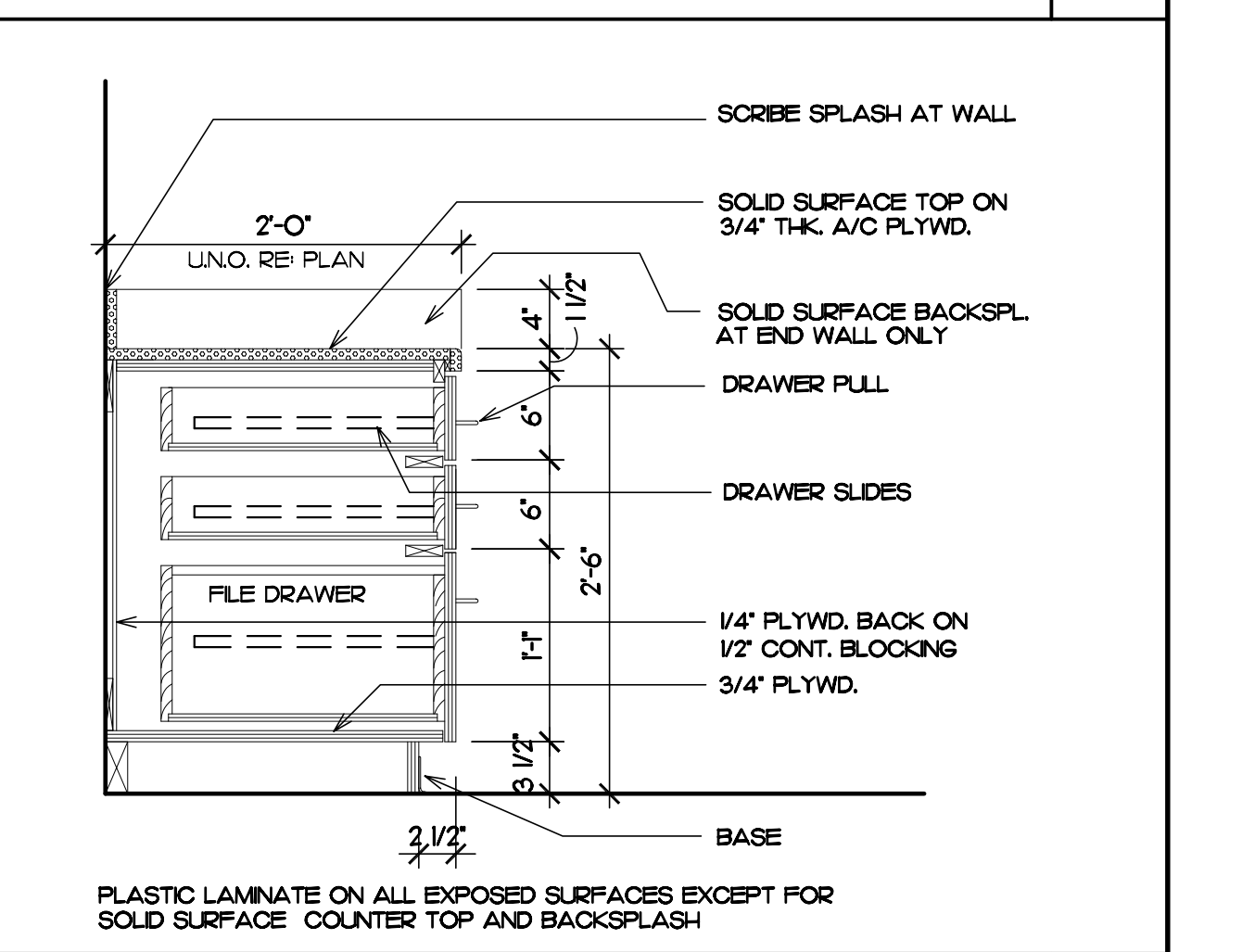
23 CURB / SIDEWALK DETAIL Scale: 1" = 1'-0"



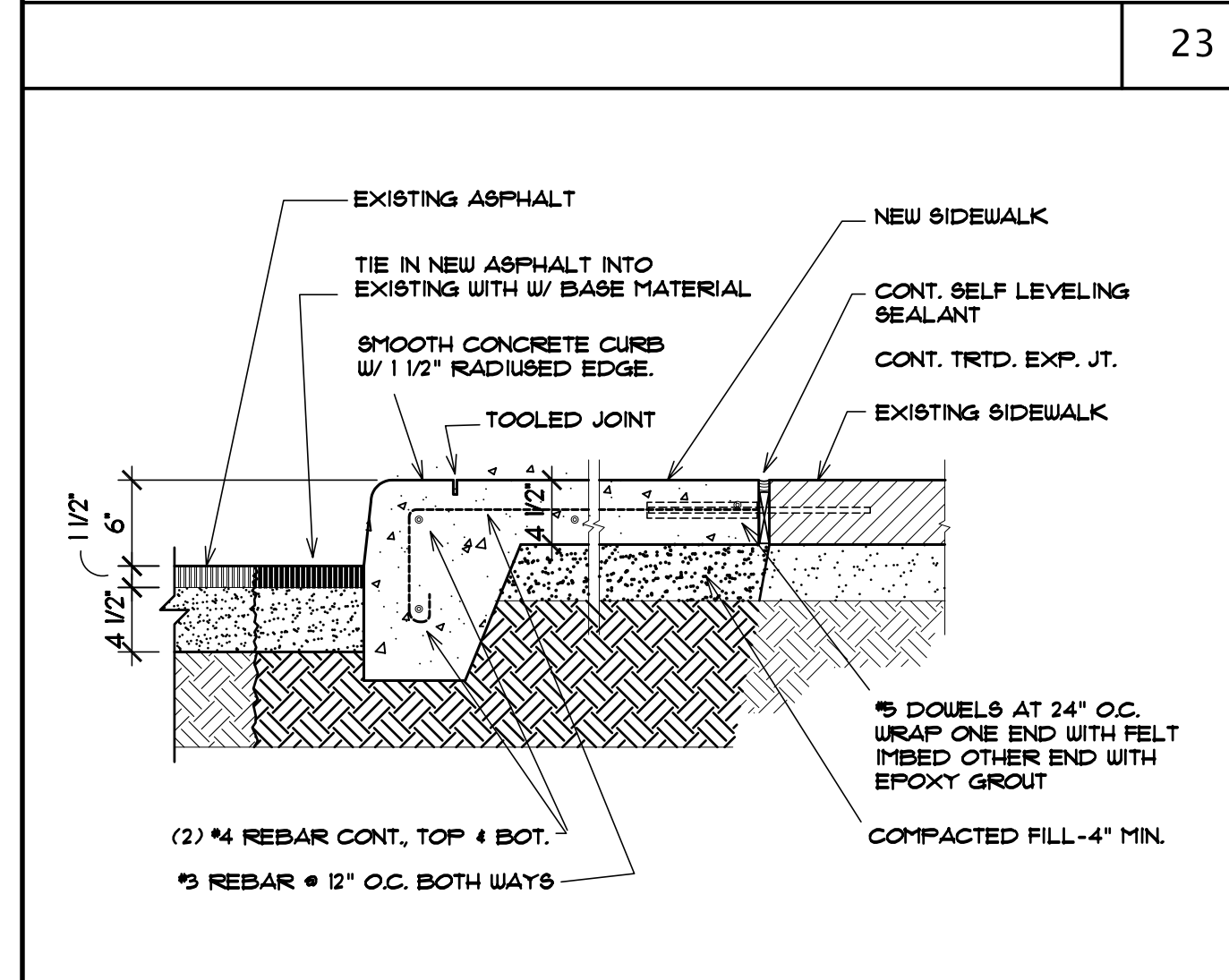
18 INTAKE COUNTER W/ DRAWERS Scale: 1" = 1'-0"



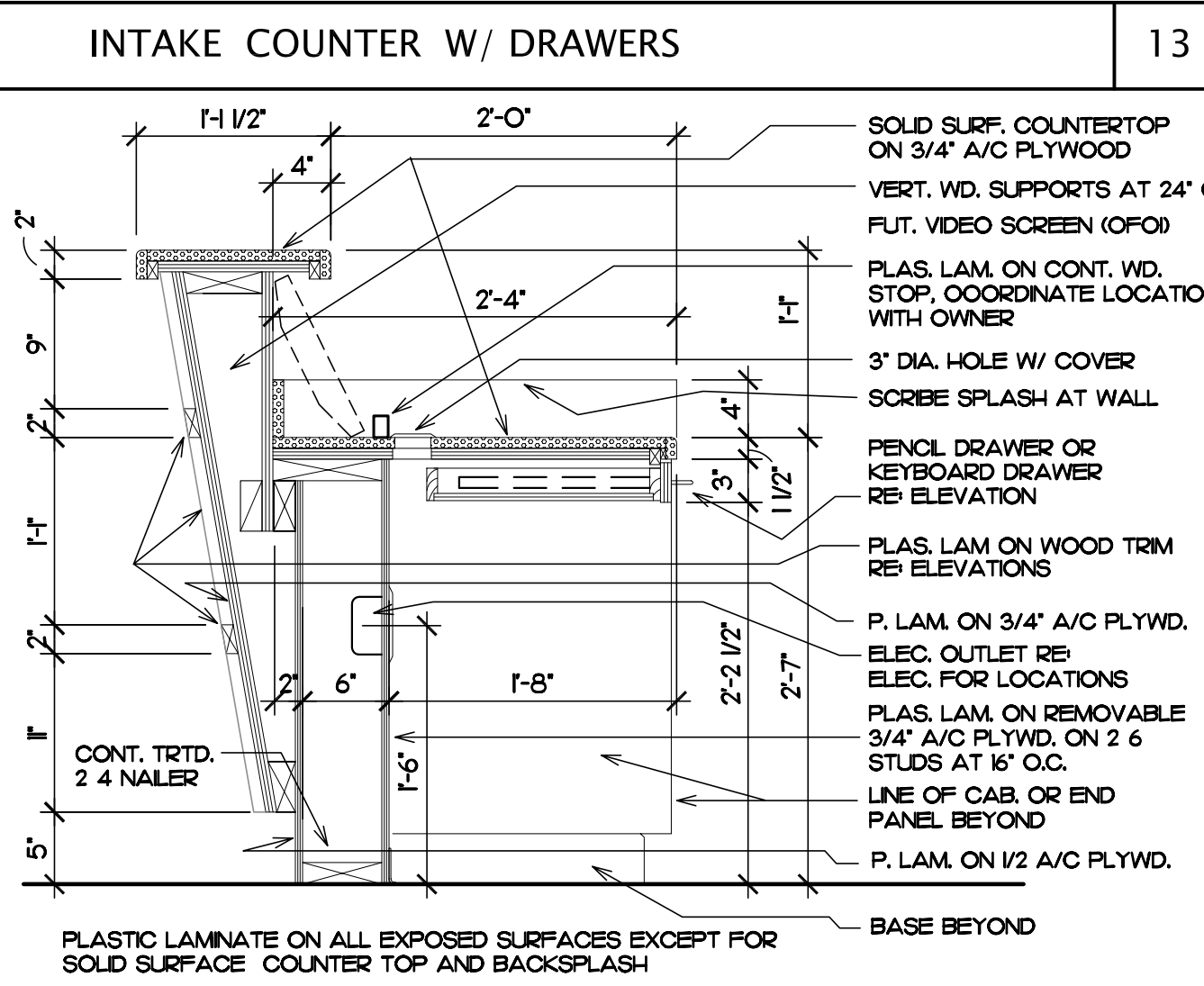
7 BASE CABINET W/ 4 DRAWERS Scale: 1" = 1'-0"



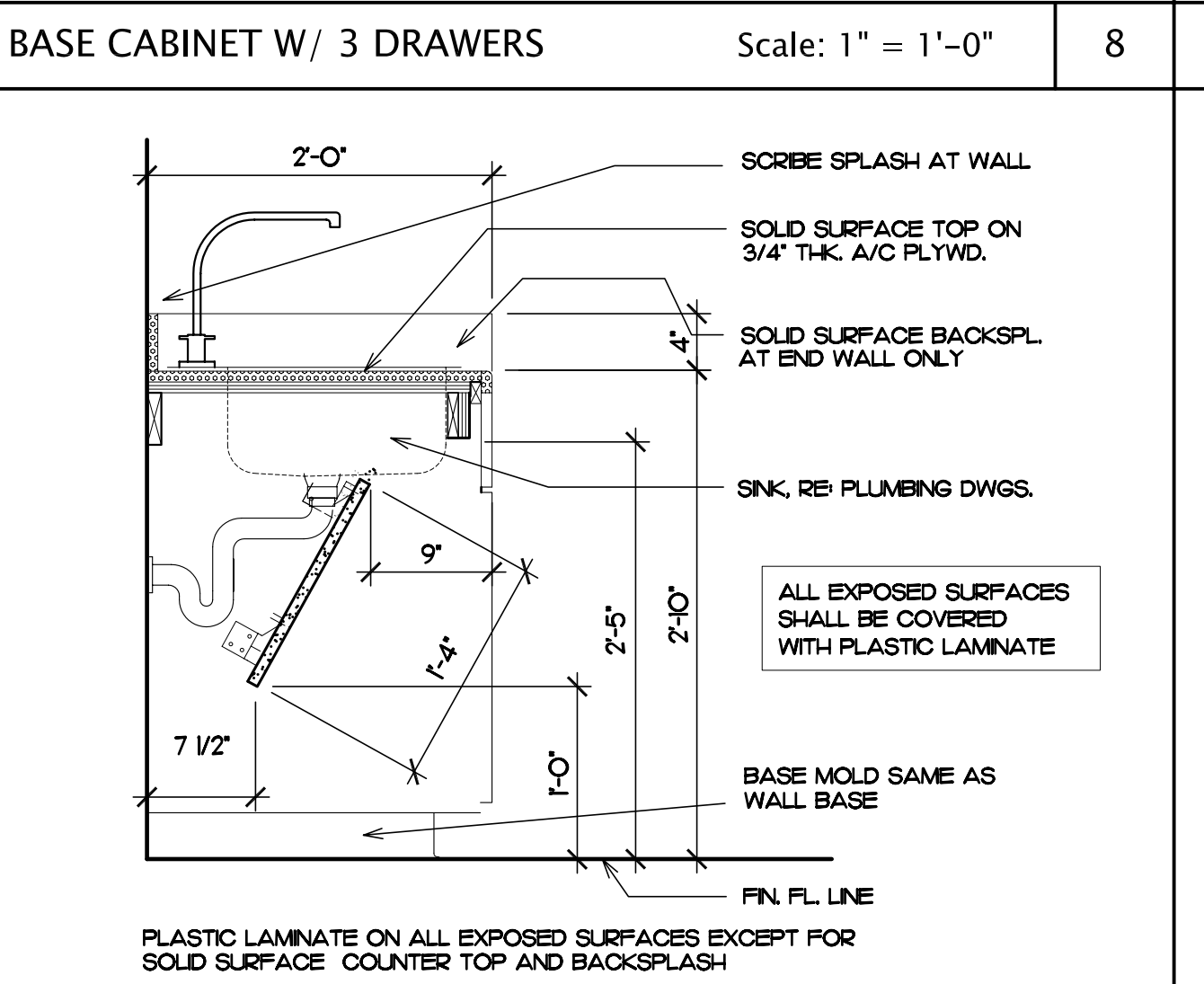
6 BASE CABINET W/ KNEE SPACE Scale: 1" = 1'-0"



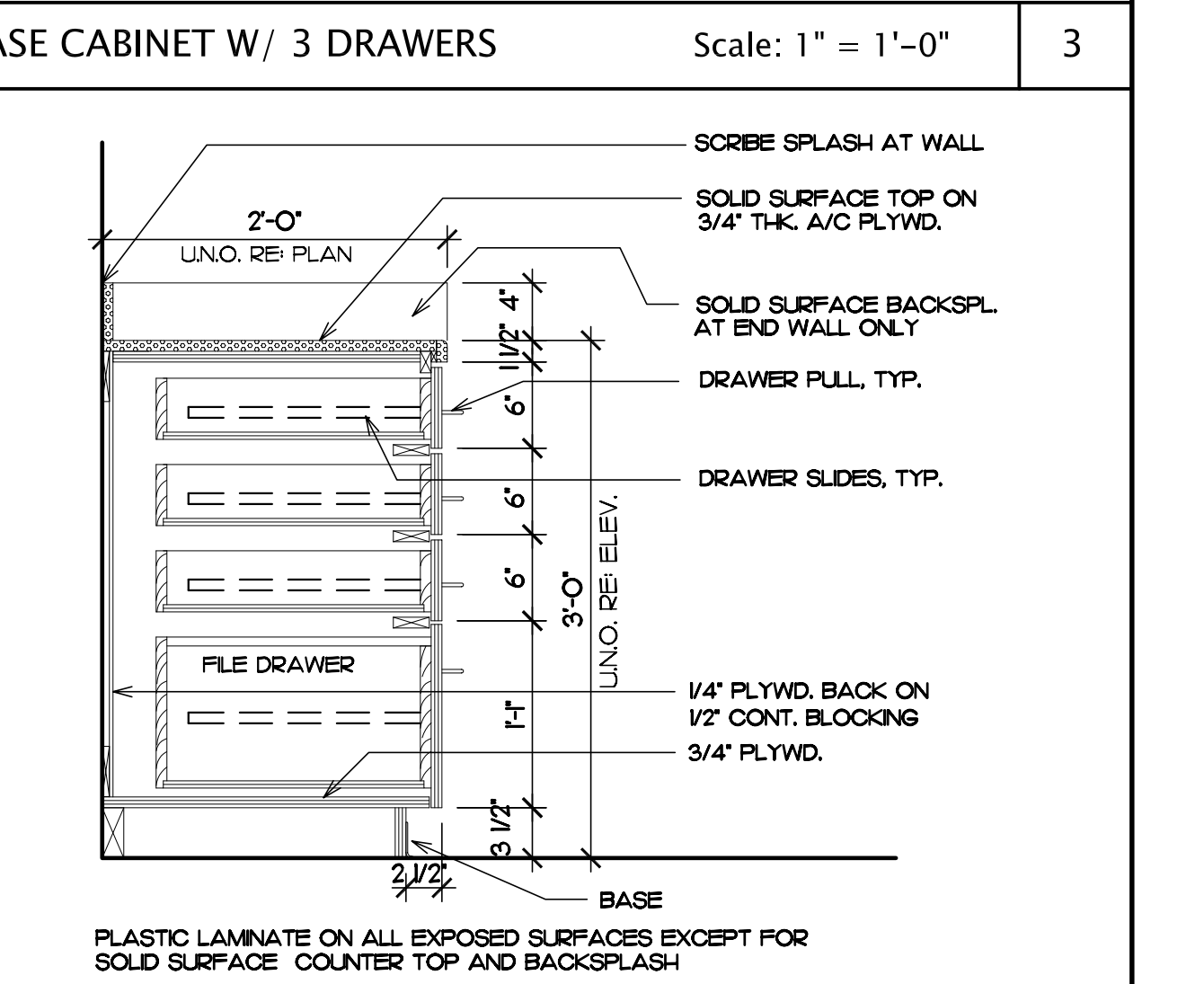
22 RAMP DETAIL Scale: 3/4" = 1'-0"



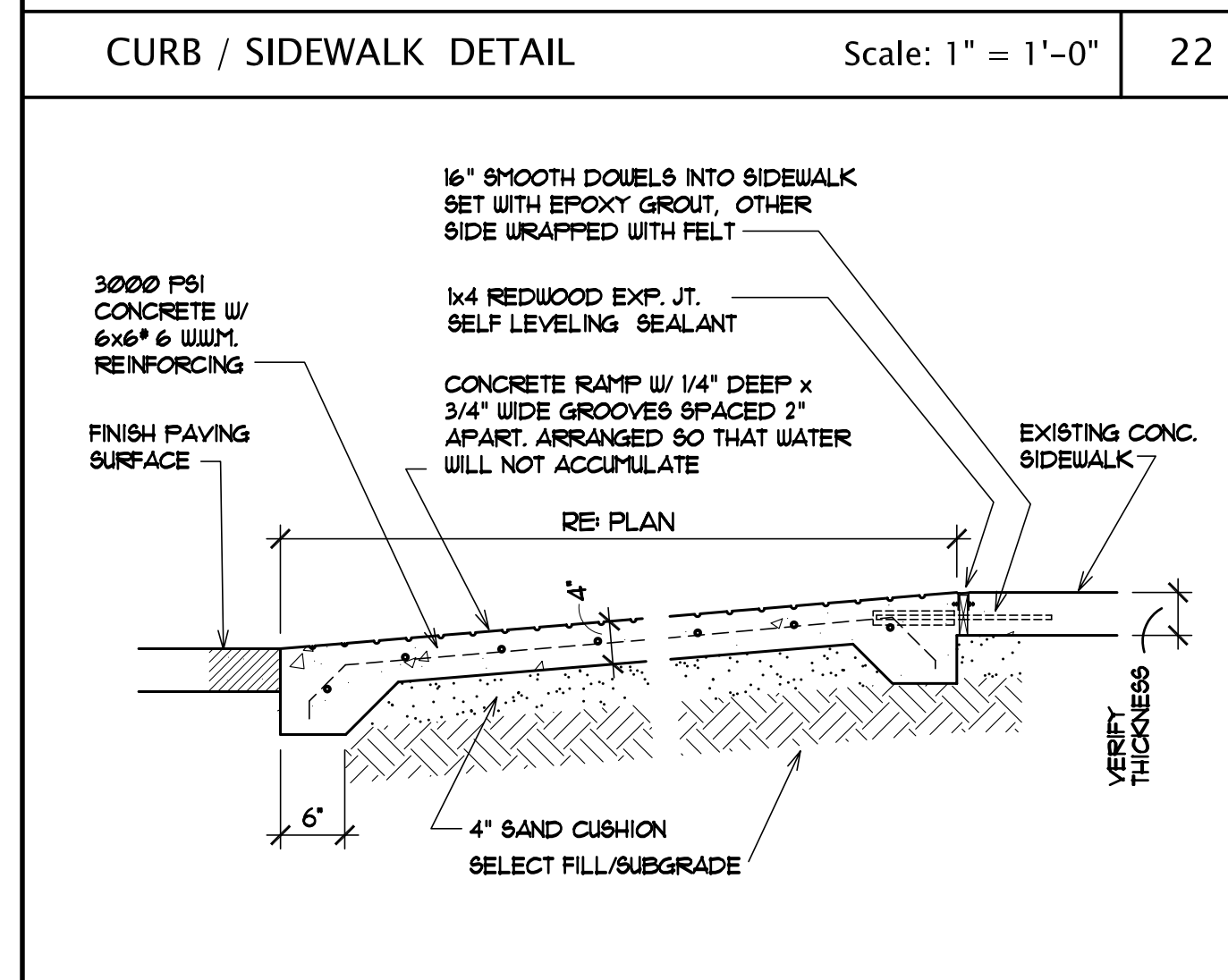
13 INTAKE COUNTER AT KNEESPACE Scale: 1" = 1'-0"



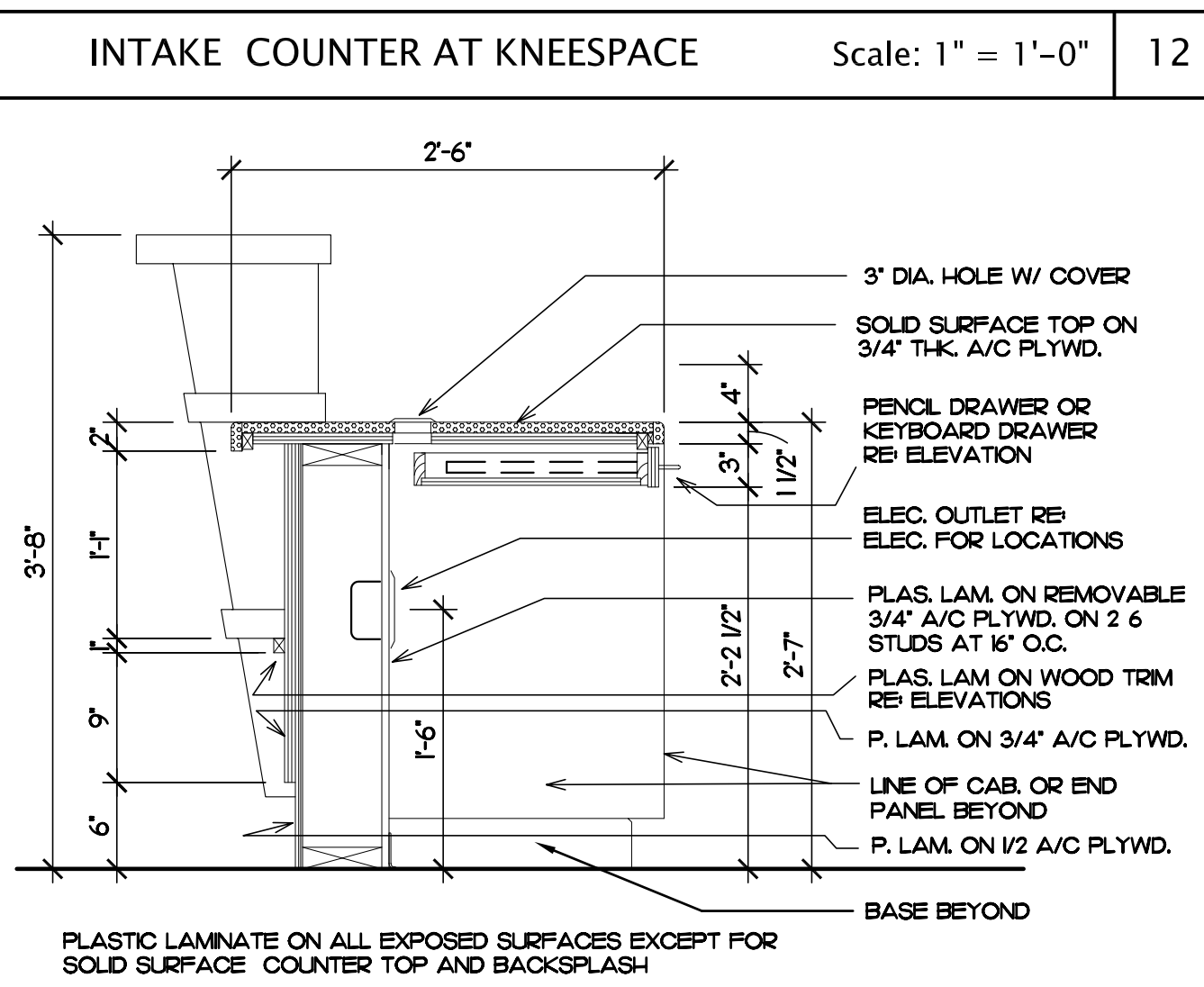
12 BASE CABINET W/ 3 DRAWERS Scale: 1" = 1'-0"



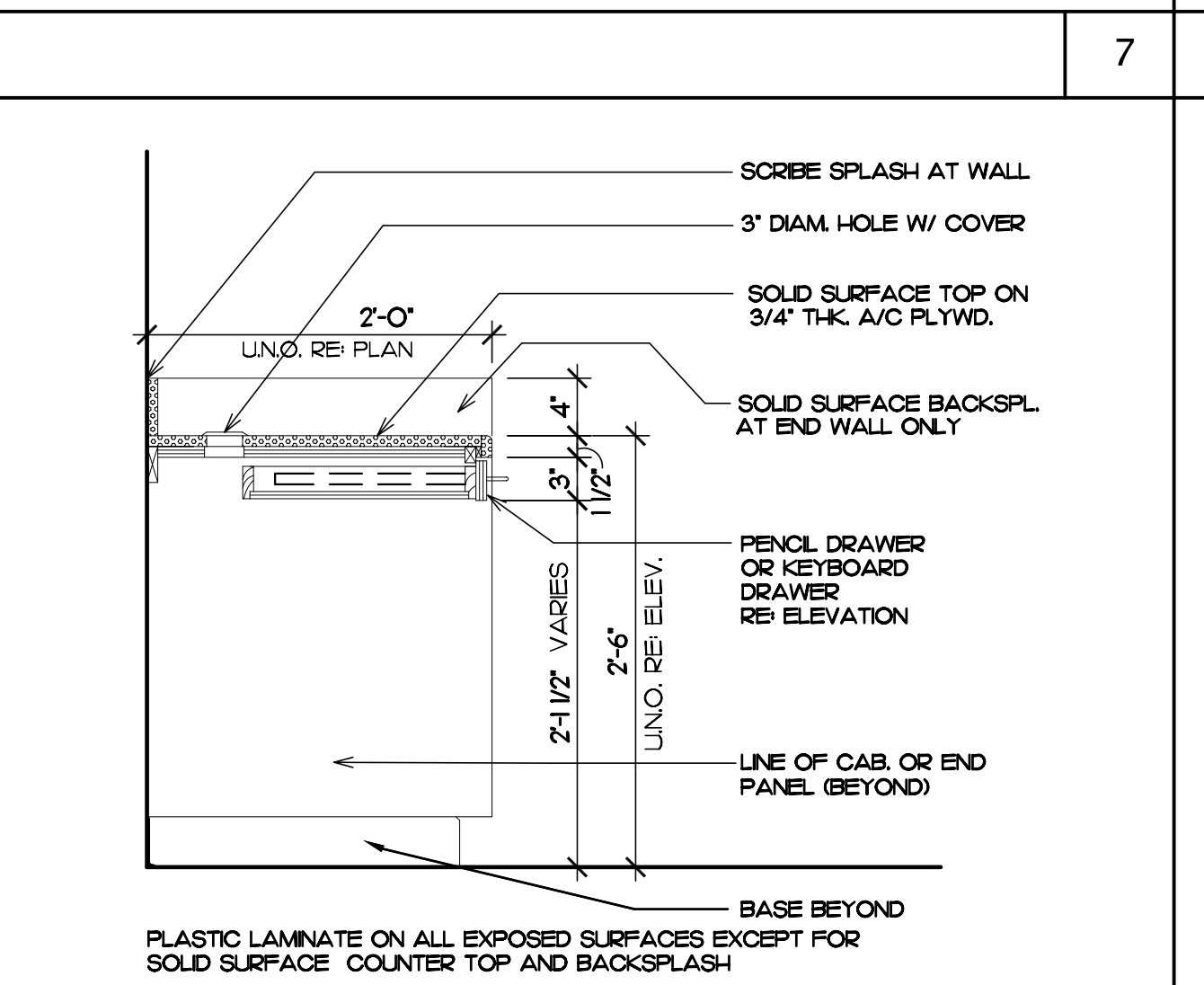
11 BASE CABINET W/ 4 DRAWERS Scale: 1" = 1'-0"



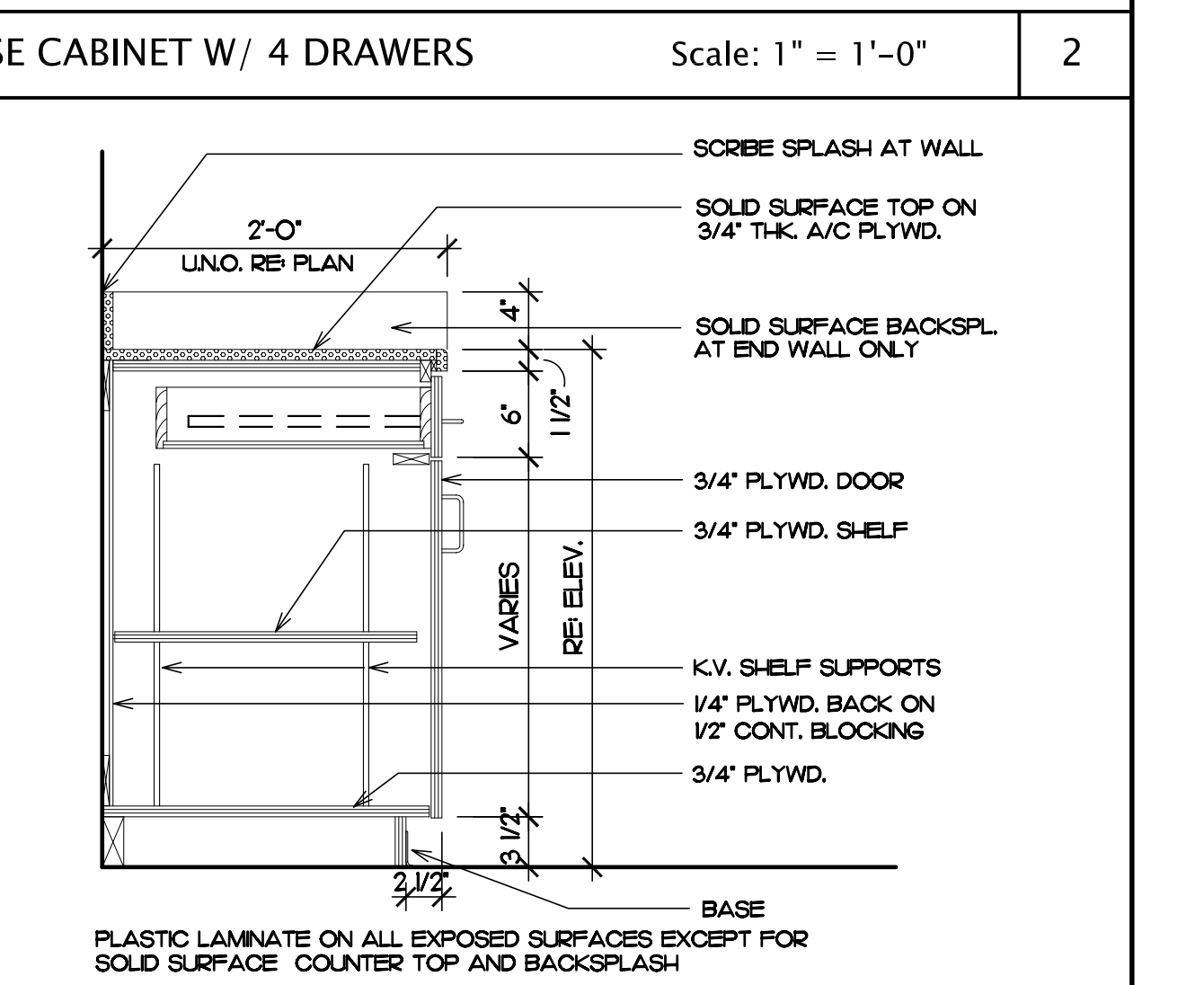
21 FULL HEIGHT CABINET Scale: 1" = 1'-0"



17 INTAKE COUNTER - ACCESSIBLE Scale: 1" = 1'-0"



16 BASE CABINET W/ 3 DRAWERS Scale: 1" = 1'-0"



19 BASE CABINET W/ 4 DRAWERS Scale: 1" = 1'-0"



BROWNE PENLAND MCGREGOR ARCHITECTS, INC.
 520 POST OAK BOULEVARD SUITE 880
 HOUSTON, TEXAS 77027
 713 850-1733 PHONE
 713 850-0833 FAX
 www.bpmarch.com
 © COPYRIGHT 2008

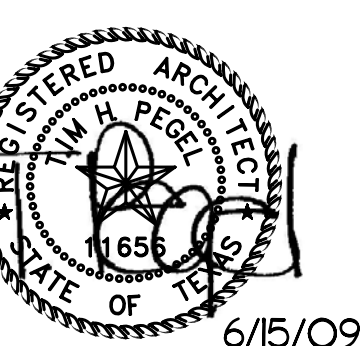


RENOVATIONS TO THE MHMRA NEUROPSYCHIATRIC FACILITY AT 1502 TAUB LOOP

MHMRA Project #: 09/0029

1502 TAUB LOOP HOUSTON, TEXAS 77030

CABINET SECTIONS & CURB AND RAMP SECTIONS



PROJECT NO: 09106.00 DRAWING NO: PHASE: CONSTRUCTION DATE: 06-15-09

